

GRIPPS®

ANSI/ISEA
121-2023
COMPLIANT

H01069 COIL TETHER DUAL-ACTION

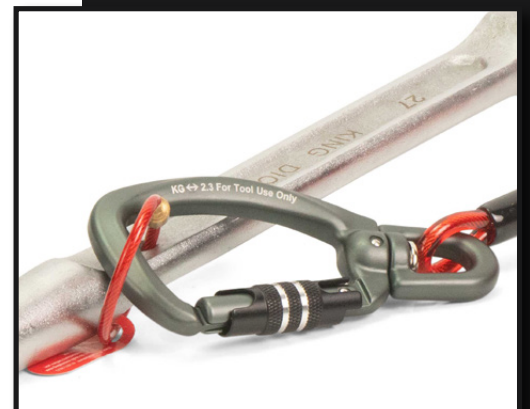
Suitable for heavier hand tools, the GRIPPS® Coil Tether Dual-Action is designed to securely attach to a tool belt, pouch, holster, or harness, is equipped with lightweight single-action carabiners affixed to swivel heads, that minimises tangling and undue strain during tool usage.

Featuring an extra-thick PU coating over stainless steel coil, it guards against kinking and withstands heat and sharp edges with resilience.

2.3 KG

5 LB

MAX LOAD



ENGINEERED FOR DROP PREVENTION

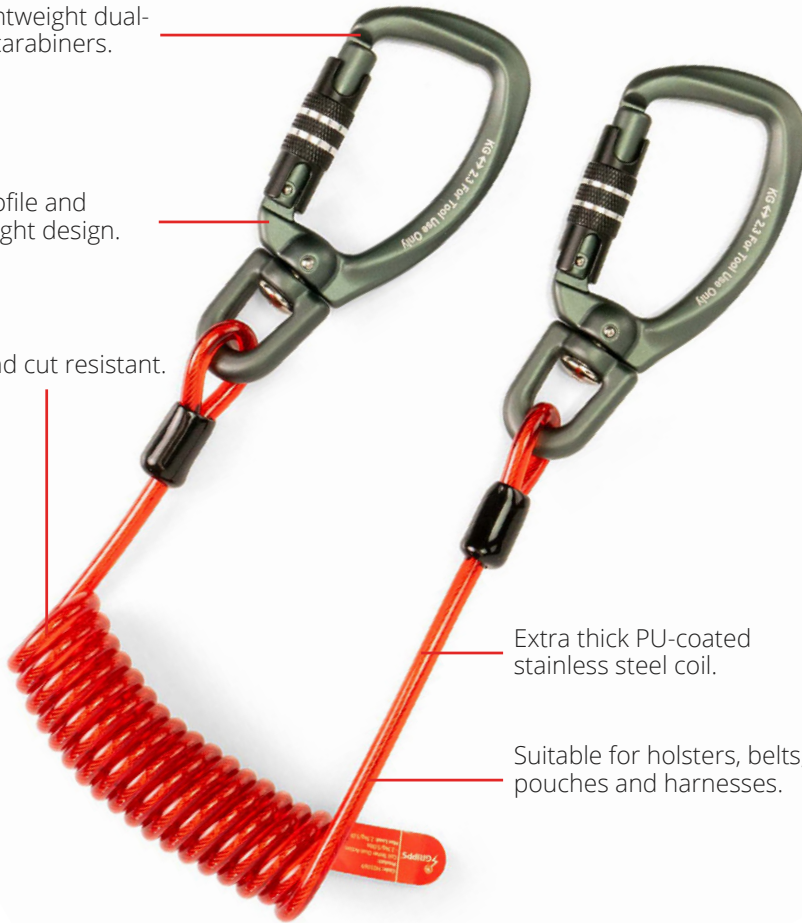
gripps.com

KEY FEATURES

Two lightweight dual-action carabiners.

Low profile and lightweight design.

Heat and cut resistant.



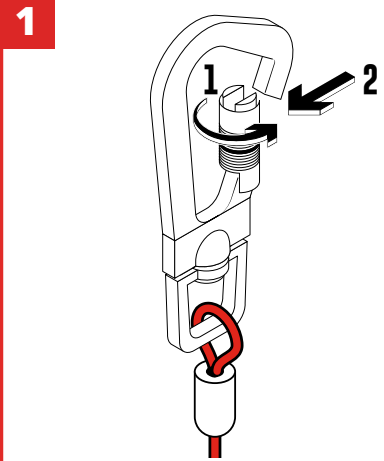
Extra thick PU-coated stainless steel coil.

Suitable for holsters, belts, pouches and harnesses.

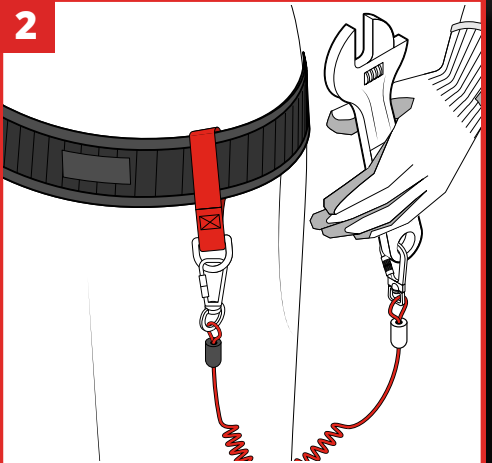
SPECIFICATIONS

SKU	MAX LOAD	MIN LENGTH	MAX TETHER LENGTH
H01069	2.3 kg 5 lb	50 cm 20 in	1.7 m 67 in
H01069-5	2.3 kg 5 lb	50 cm 20 in	1.7 m 67 in

HOW TO USE



Open or close the carabiner as required.



Attach tether to a desired anchor point such as holster D-ring.