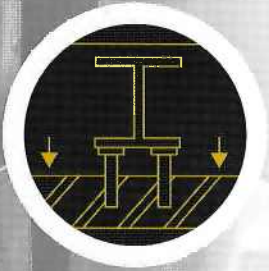
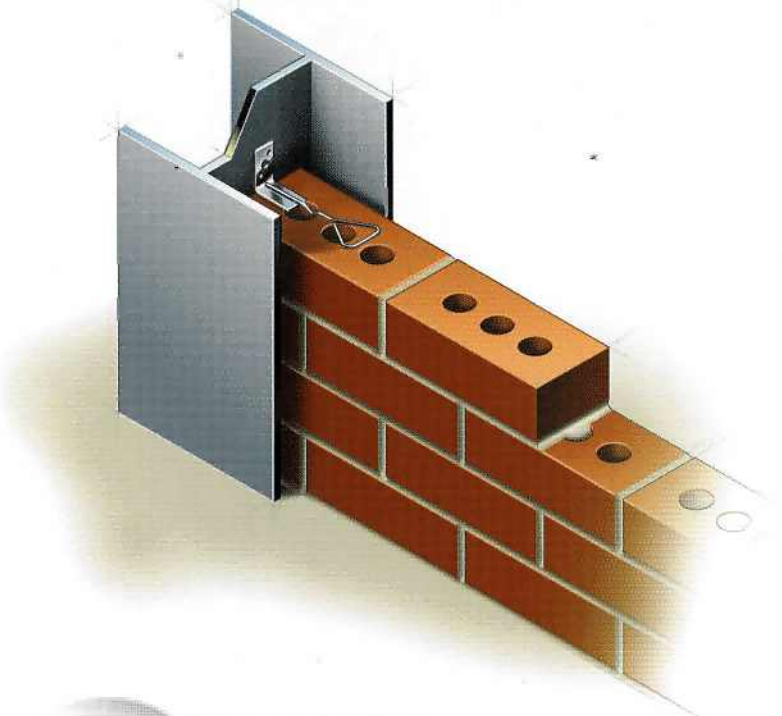


Lateral Restraint Products

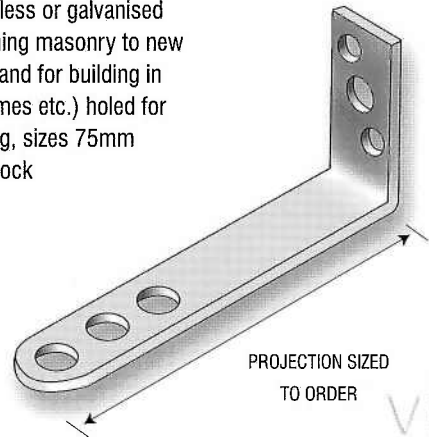
These products allow masonry walls to be restrained back to other elements of structure. This could be to pre-existing walls, or new or pre-existing steel work. The ties, once in position prevent sideways movement between a wall and another structure.



VE7

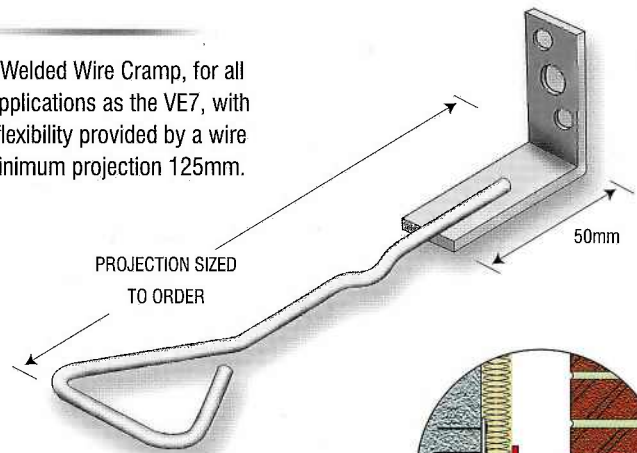
Cramp, in stainless or galvanised steel, for restraining masonry to new or existing structures, and for building in non-structural elements (frames etc.) holed for screwing, bolting or shotfiring, sizes 75mm projection to 150mm, non stock sizes to order.

See Section 10 for Variations



V96

Welded Wire Cramp, for all applications as the VE7, with added flexibility provided by a wire projection, minimum projection 125mm.



Technical Data

Welded wire cramp, for all applications as the VE7, with added flexibility provided by a wire projection, minimum projection 125mm.

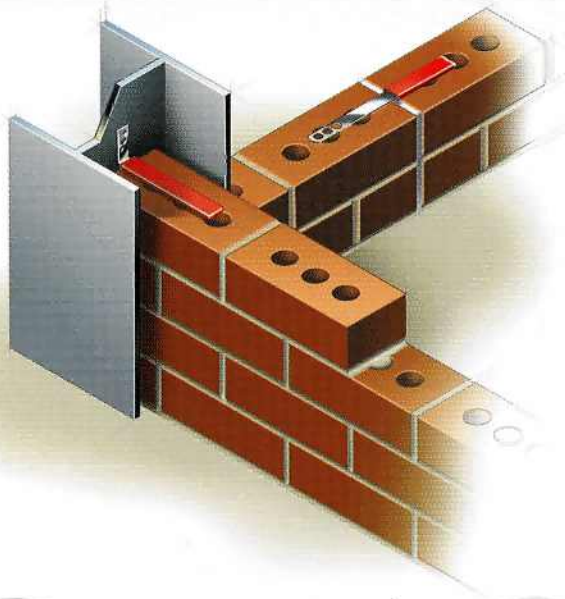


Movement Ties

This range of ties allows masonry walls to be tied back to other structures, (steelwork or masonry) providing restraint in one direction but allowing movement in the other.

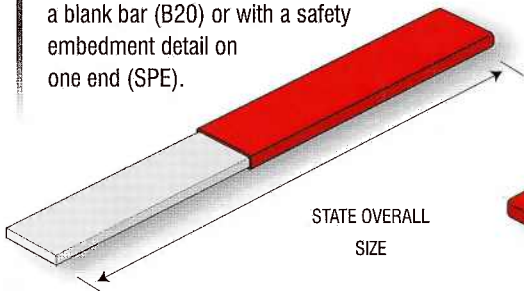
This is achieved by placing a "debonding sleeve" over the part of the tie which is to be embedded in the wall, allowing the tie to move within the sleeve.

Also used in movement joints where they occur in long runs of brickwork, the ties spanning over a vertical joint preventing vertical movement but allowing horizontal expansion and contraction.



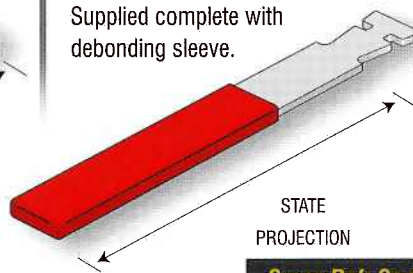
B20

A tie for use across vertical movement joints, complete with de-bonding sleeve, available as a blank bar (B20) or with a safety embedment detail on one end (SPE).



V8PE

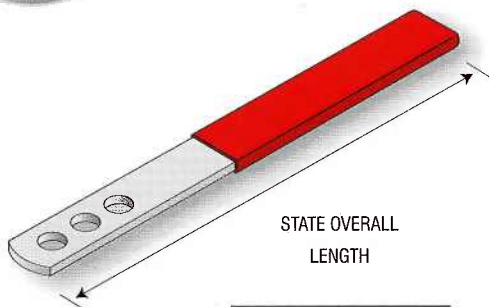
This product allows lateral movement between masonry and a fixed channel or slot section. Supplied complete with debonding sleeve.



Cross Ref: Section 5 - Channel Systems



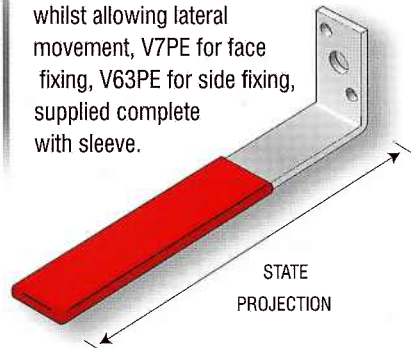
SPE



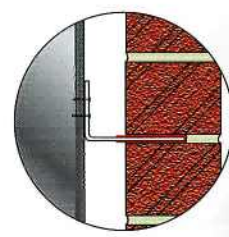
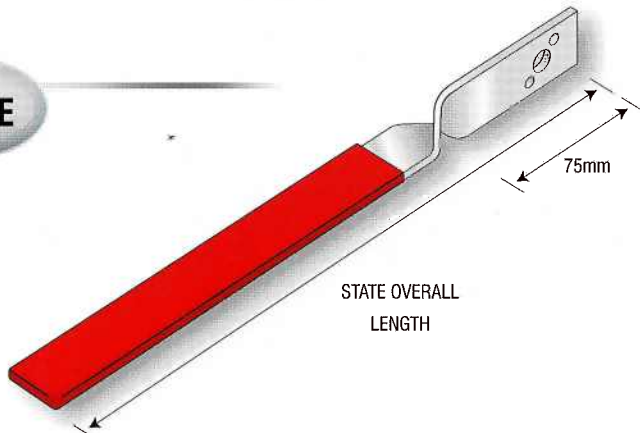
See Section 10 for Variations

V7PE

Ties for restraining masonry to steelwork, whilst allowing lateral movement, V7PE for face fixing, V63PE for side fixing, supplied complete with sleeve.



V63PE



Interactive Wall Tie Designer

INTRODUCTION

DESIGN

SAVE

INTRODUCTION

Welcome to the Interactive Wall Tie Designer from Vista Engineering Ltd.

This application allows you to design wall tie's to your specification. Over 200 combinations are available from the variations within this product

To start designing your tie, just click on the 'DESIGN' button at the top.

DESIGN

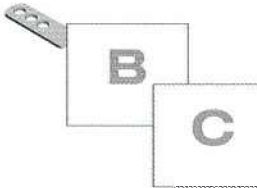
Step 2

Choose your middle piece, drag and drop it into box 'B' on the right

OPTIONS AVAILABLE

YOUR DESIGN

A					
B					
C					



DESIGN


Step 3

Choose your end piece, drag and drop it into box 'C' on the right

OPTIONS AVAILABLE

YOUR DESIGN

A					
B					
C					



SAVE

You can now print this page and fax it to Vista on **01663 736710**
To start a new design, please click the 'DESIGN' button above.

Design Your Own Tie
Now - Visit



www.vistaeng.co.uk

