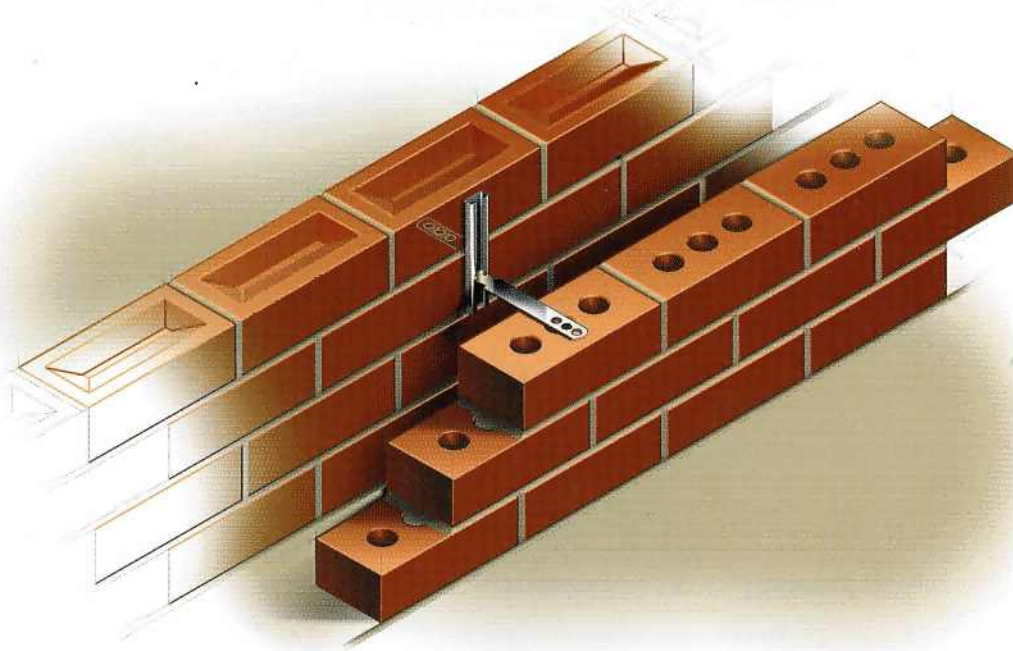


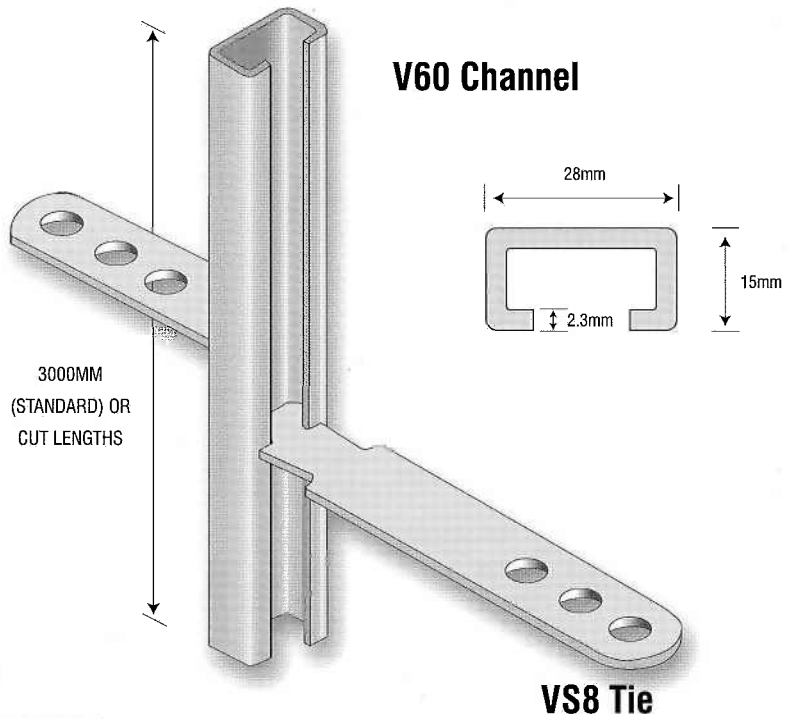
Cast-In & Face-Fix Channel System

These products both allow vertical movement whilst offering horizontal restraint. The channel system tends to be face-fixed, whilst the slot is usually cast into concrete. These systems may be used to overcome differences in coursing between masonry leaves.



V60

A channel and tie system designed for face fixing, either by bolting, plugging and screwing, or with the addition of welded tangs by building in.

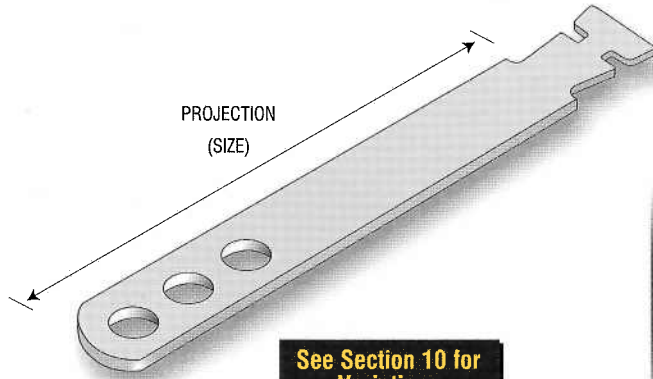
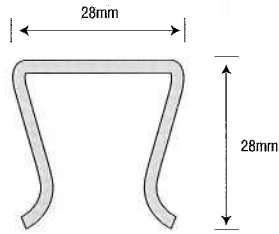


See Section 10 for Variations

VS8

V29

Cast in dovetail slot, available in stainless steel or pre-galvanised material, pre filled with polystyrene (to prevent concrete ingress). Standard lengths of 75mm, 100mm, 150mm and 3,000mm. Ties to suit with safety ends; welded (V98) or solid (VS8). (Welded ties in stainless steel only).



See Section 10 for Variations

VS8

V98

