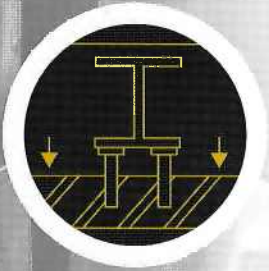
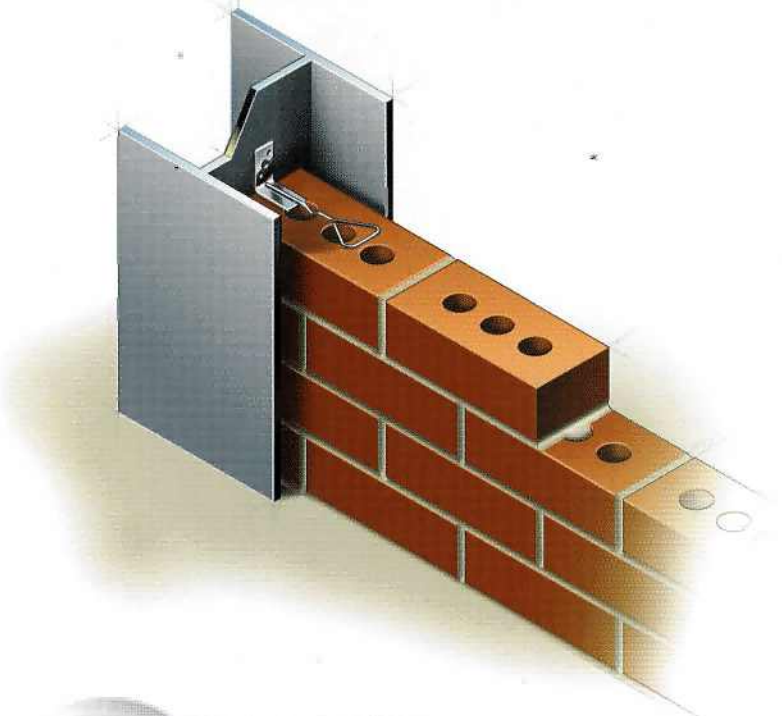


Lateral Restraint Products

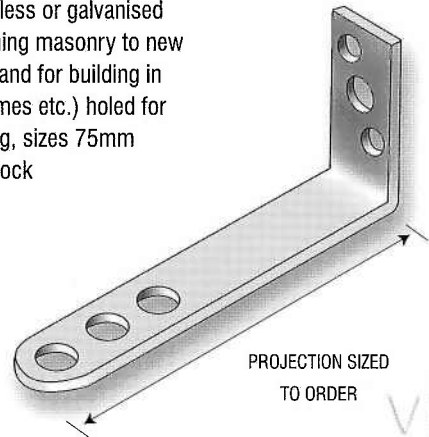
These products allow masonry walls to be restrained back to other elements of structure. This could be to pre-existing walls, or new or pre-existing steel work. The ties, once in position prevent sideways movement between a wall and another structure.



VE7

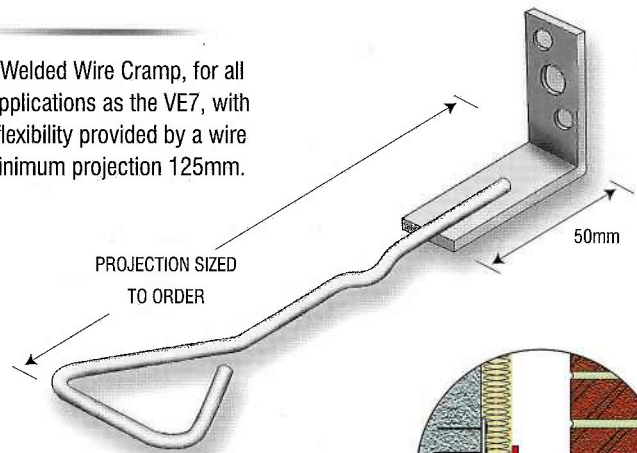
Cramp, in stainless or galvanised steel, for restraining masonry to new or existing structures, and for building in non-structural elements (frames etc.) holed for screwing, bolting or shotfiring, sizes 75mm projection to 150mm, non stock sizes to order.

See Section 10 for Variations



V96

Welded Wire Cramp, for all applications as the VE7, with added flexibility provided by a wire projection, minimum projection 125mm.



Technical Data

Welded wire clamp, for all applications as the VE7, with added flexibility provided by a wire projection, minimum projection 125mm.

