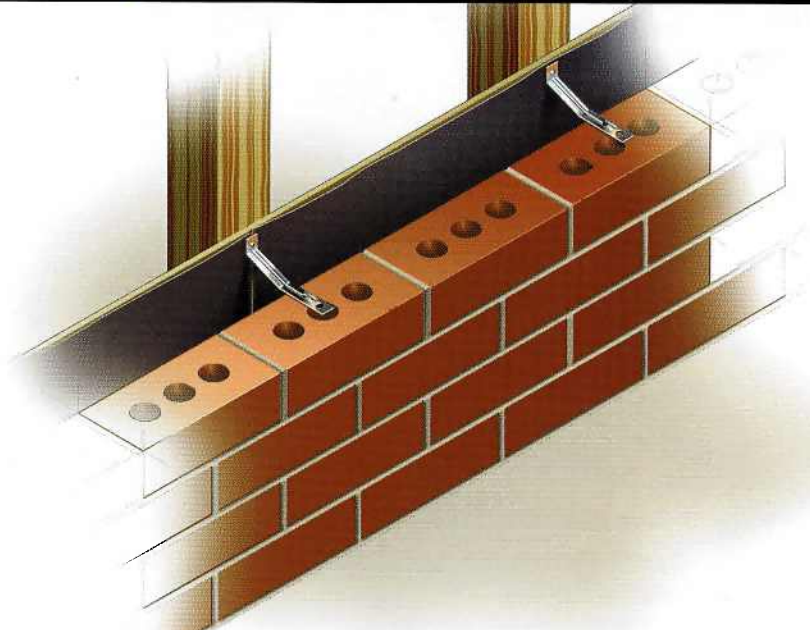


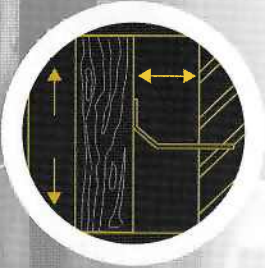
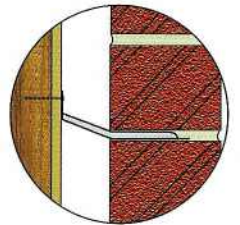
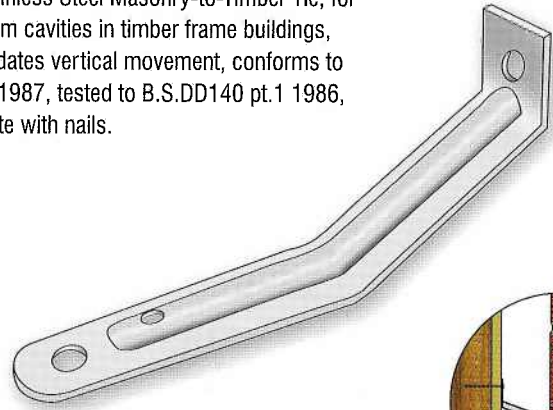
# Masonry to Timber Ties

This range of products is specifically designed to secure an inner timber frame to an outer brick skin. The main property of these ties is that they can absorb substantial vertical movement between the brick and timber, whilst still performing its structural function.



**V61**

Stainless Steel Masonry-to-Timber Tie, for 50mm cavities in timber frame buildings, accommodates vertical movement, conforms to B.S.DD140 pt.2 1987, tested to B.S.DD140 pt.1 1986, supplied complete with nails.



**V43**

Stainless steel "flexi-tie" for timber frame restraint, supplied pre-holed for nailing, 200mm standard length.

