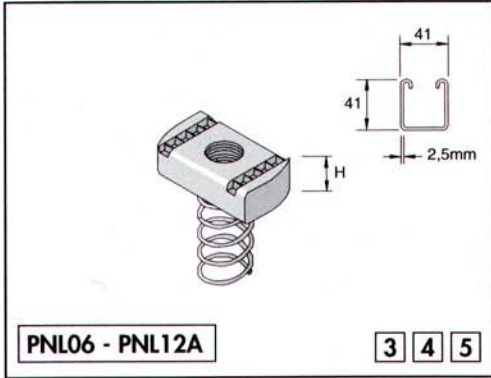


# UNISTRUT

GB Channelnuts for Unistrut channels (see page I.004-I.014)

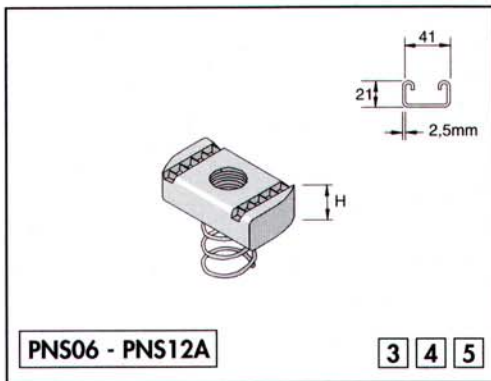


5	Art.nr.
M6	PNL06ZP
M8	PNL08ZP
M10	PNL10ZP
M12	PNL12ZP
M12	PNL12AZP

3	Art.nr.
M6	PNL06HDIN
M8	PNL08HDIN
M10	PNL10HDIN
M12	PNL12HDIN
M12	PNL12AHDIN

4	Art.nr.
M6	PNL06SS
M8	PNL08SS
M10	PNL10SS
M12	-
M12	PNL12ASS

H (mm)		🔒 /100
6,50	3,26	
8	3,53	
9	3,95	
12	4,78	
9	3,43	

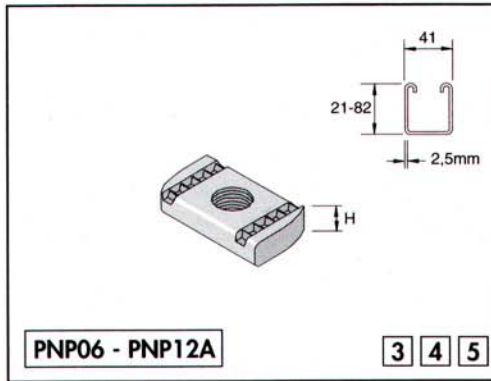


5	Art.nr.
M6	PNS06ZP
M8	PNS08ZP
M10	PNS10ZP
M12	PNS12AZP

3	Art.nr.
M6	PNS06HDIN
M8	PNS08HDIN
M10	PNS10HDIN
M12	PNS12AHDIN

4	Art.nr.
M6	PNS06SS
M8	PNS08SS
M10	PNS10SS
M12	PNS12ASS

H (mm)		🔒 /100
6,50	6,5	
8	8	
9	9	
9	9	

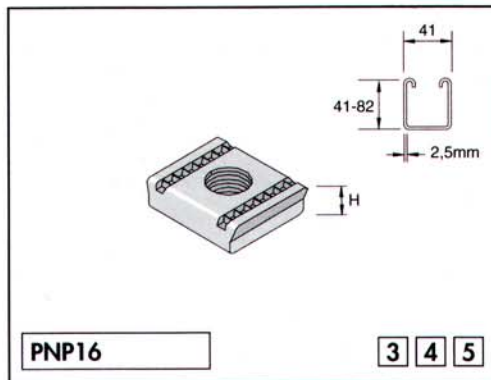


5	Art.nr.
M6	PNP06ZP
M8	PNP08ZP
M10	PNP10ZP
M12	PNP12ZP*
M12	PNP12AZP

3	Art.nr.
M6	PNP06HDIN
M8	PNP08HDIN
M10	PNP10HDIN
M12	PNP12HDIN*
M12	PNP12AHDIN

4	Art.nr.
M6	PNP06SS
M8	PNP08SS
M10	PNP10SS
M12	-
M12	PNP12ASS

H (mm)		🔒 /100
6,50	3,10	
8	3,40	
9	3,80	
11	4,68	
9	3,43	

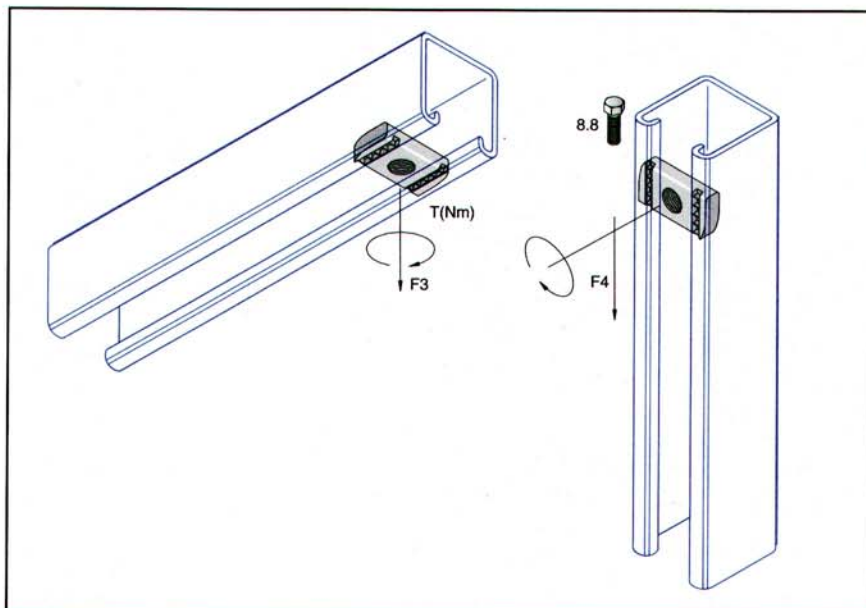


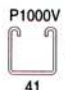



5	Art.nr.
M16	PNP16ZP*


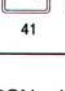
4	Art.nr.
M16	PNP16SS*

H (mm)		🔒 /100
12	8,00	

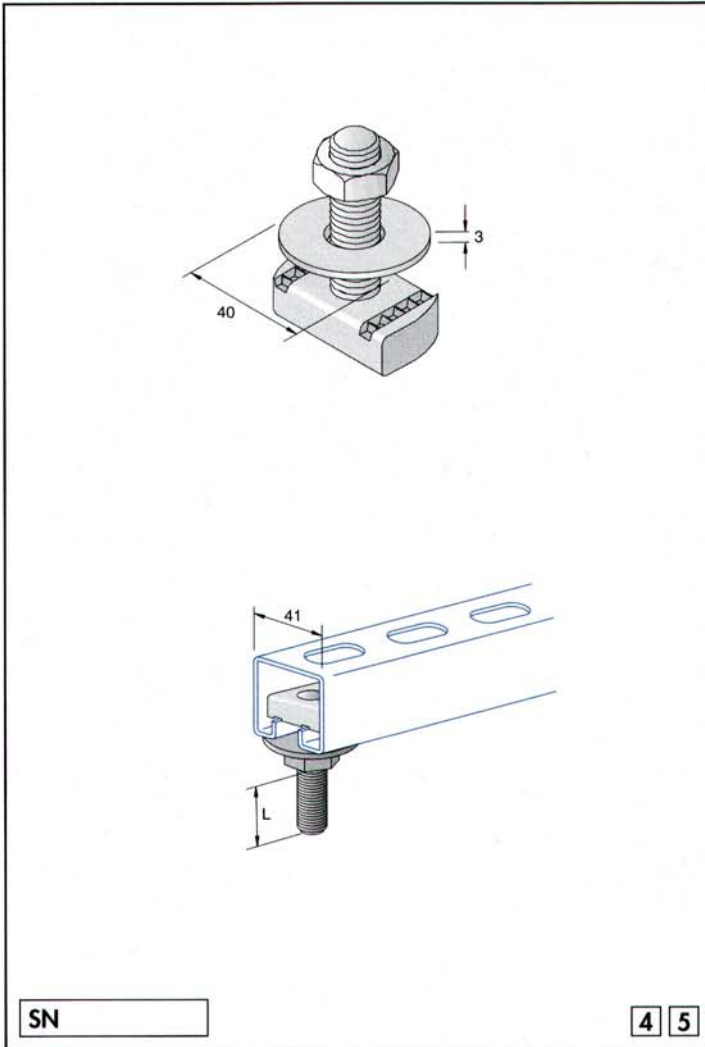
\* Not suitable for Unistrut channels P3300 & P4000, P3370



	Art. nr. 5	T (Nm)	F3 kN	F4 kN
 P1000V 41	PNP06ZP	12	4.71	1.77
	PNP08ZP	28	5.79	3.43
	PNP10ZP	55	6.87	4.41
	PNP12ZP	95	8.83	6.67
	PNP16ZP	125	10.30	7.36
	M16SN*	95	8.83	
 P3300V 41	PNP06ZP	12	4.71	1.77
	PNP08ZP	28	5.79	3.43
	PNP10ZP	55	6.87	4.41
	PNP12AZ	60	6.87	4.91
	M16SN*	95	8.83	
 P2000 41	PNP06ZP	12	3.34	0.49
	PNP08ZP	28	3.53	1.57
	PNP10ZP	40	3.92	1.67
	PNP12ZP	40	4.41	3.14
	PNP16ZP	55	4.91	3.34
	M16SN*	40	3.92	
 P4000 41	PNP06ZP	12	3.34	0.49
	PNP08ZP	28	3.53	1.57
	PNP10ZP	40	3.92	1.67
	PNP12AZP	40	4.41	1.96
	M16SN*	40	3.92	0.00

	Art. nr. 4	T (Nm.)	F3 kN	F4 kN
 P1000V 41	PNP06SS	6,5	2.45	0.10
	PNP08SS	16	4.41	0.98
	PNP10SS	31,5	6.87	3.43
	PNP12ASS	55	6.87	3.92
	PNP16SS	12,5	10.30	7.36
 P3300V 41	PNP06SS	6,5	2.45	0.69
	PNP08SS	16	4.41	0.98
	PNP10SS	31,5	6.87	3.43
	PNP12ASS	22	6.87	3.92

\*M16SN Hot forged (P. 1.038)



5 Art. -Nr.	4 Art. -Nr.	L	
M6 x 30SN	M6 x 30SNSS	18,5 mm	100

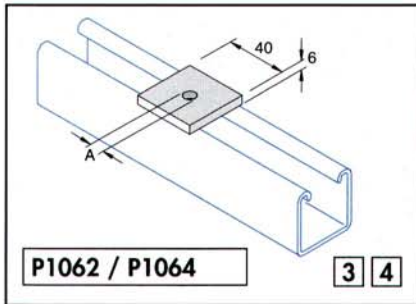
5 Art. -Nr.	4 Art. -Nr.	L	
M8 x 30SN	M8 x 30SNSS	15,5 mm	100
M8 x 40SN	M8 x 40SNSS	25,5 mm	100
M8 x 50SN	M8 x 50SNSS	35,5 mm	100
M8 x 60SN	M8 x 60SNSS	45,5 mm	100
M8 x 75SN	M8 x 75SNSS	60,5 mm	100
M8 x 100SN	M8 x 100SNS	85,5 mm	100

5 Art. -Nr.	4 Art. -Nr.	L	
M10 x 30SN	M10 x 30SNSS	13 mm	100
M10 x 40SN	M10 x 40SNSS	23 mm	100
M10 x 50SN	M10 x 50SNSS	33 mm	100
M10 x 60SN	M10 x 60SNSS	43 mm	100
M10 x 75SN	M10 x 75SNSS	58 mm	100
M10 x 100SN	M10 x 100SNS	83 mm	100

5 Art. -Nr.	4 Art. -Nr.	L	
M12 x 30SN	M12 x 30SNSS	11 mm	100
M12 x 40SN	M12 x 40SNSS	21 mm	100
M12 x 50SN	M12 x 50SNSS	31 mm	100
M12 x 60SN	M12 x 60SNSS	41 mm	100
M12 x 75SN	M12 x 75SNSS	56 mm	100
M12 x 100SN	M12 x 100SNS	81 mm	100

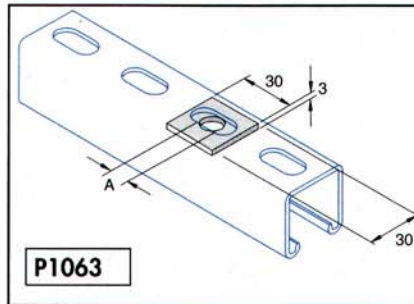
5 Art. -Nr.	L	
M16 x 63SN*	40 mm	100
M16 x 102SN*	79 mm	100

\* Hot forged

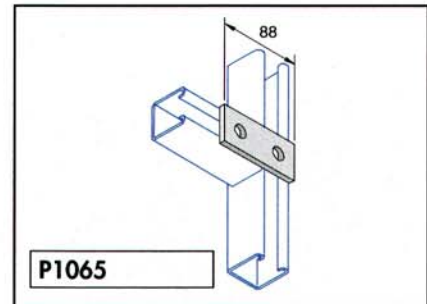


**P1062 / P1064**

3 4



**P1063**

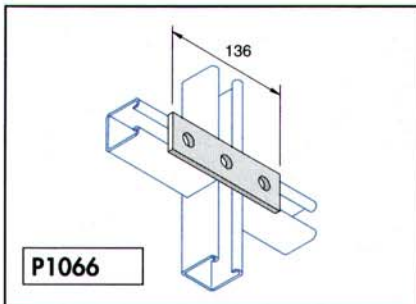


**P1065**

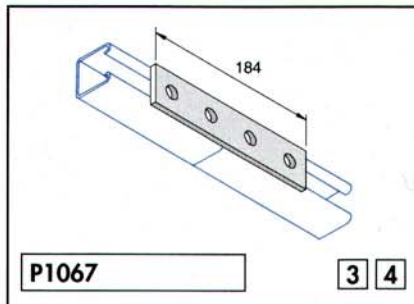
3	4	A (mm)			
P1062	P1062 SS	8	M6	0,072	100
P1062A	P1062A SS	10	M8	0,071	100
P1063	P1063 SS	12	M10	0,070	100
P1064	P1064 SS	14	M12	0,068	100

5	4	A (mm)			
P1063/06	P1063/06SS	8	M6	0,072	100
P1063/08	P1063/08SS	10	M8	0,071	100
P1063/10	P1063/10SS	12	M10	0,070	100
P1063/12	P1063/12SS	14	M12	0,068	100

3	4		
P1065	P1065SS	0,160	50

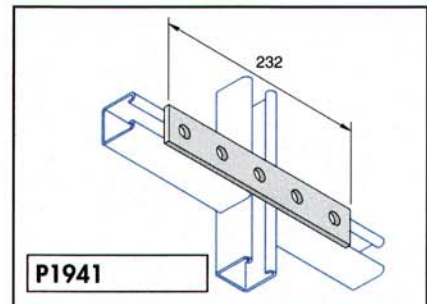


**P1066**



**P1067**

3 4

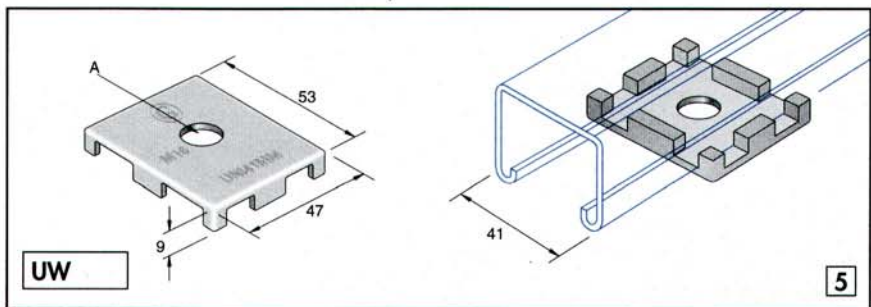


**P1941**

3	4		
P1066	P1066SS	0,240	25

3	4		
P1067	P1067SS	0,311	25

3	4		
P1941	P1941SS	0,400	25



**UW**

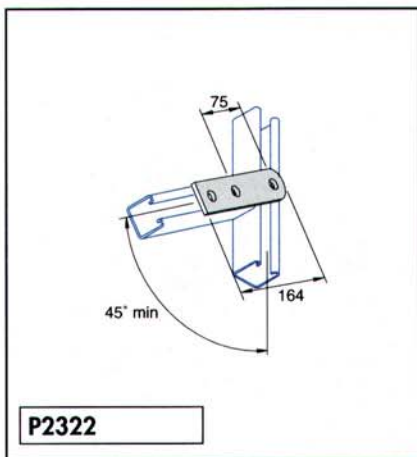
5

Art.nr.	A		
UW08	Ø 9	0,110	100
UW10	Ø11	0,110	100
UW12	Ø 13	0,110	100
UW16	Ø 17	0,110	100



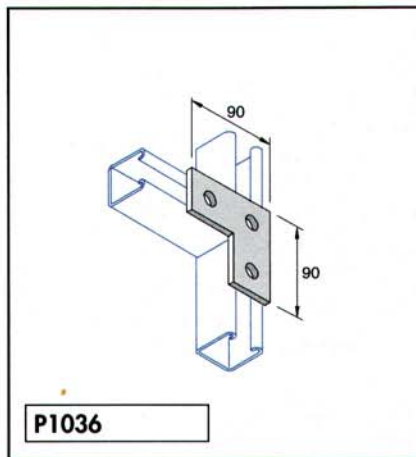
# UNISTRUT

GB Flat fittings



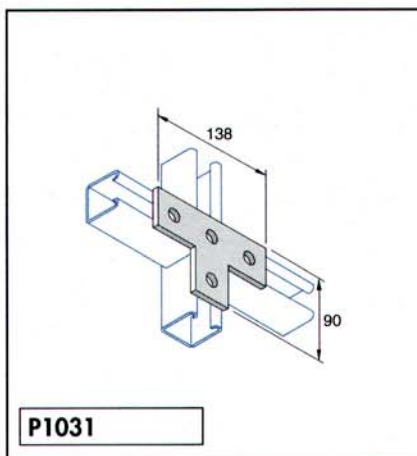
**P2322**

3	4	🔒	📏
P2322	P2322SS	0,305	25



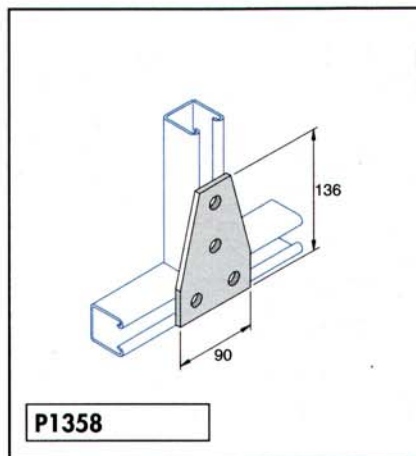
**P1036**

3	4	🔒	📏
P1036	P1036SS	0,250	25



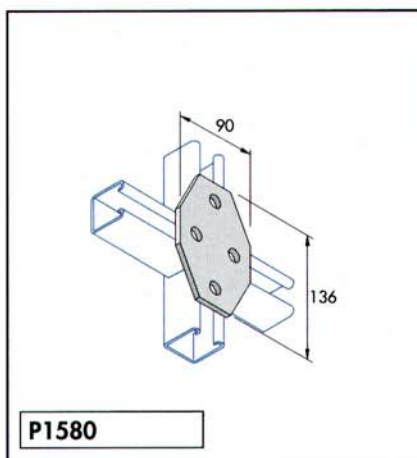
**P1031**

3	4	🔒	📏
P1031	P1031SS	0,3040	25



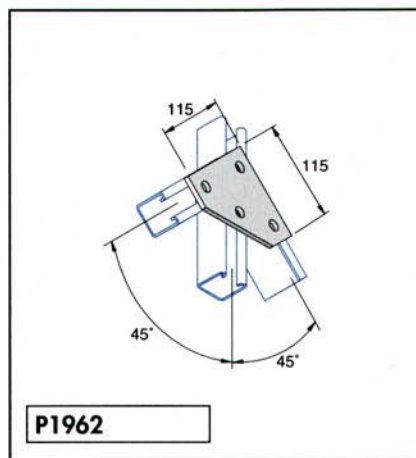
**P1358**

3	4	🔒	📏
P1358	P1358SS	0,450	10



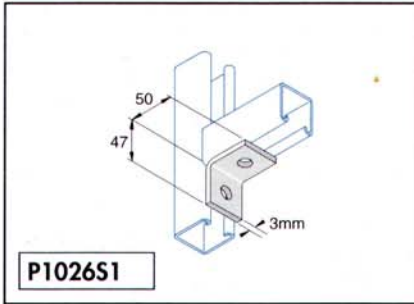
**P1580**

3	4	🔒	📏
P1580	P1580SS	0,470	10



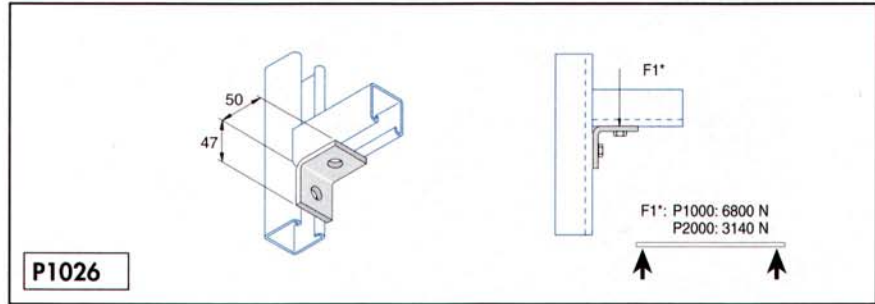
**P1962**

3	4	🔒	📏
P1962	P1962SS	0,448	10



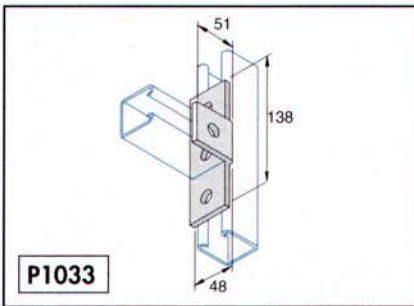
**P1026S1**

P1026-S1	0,071	100



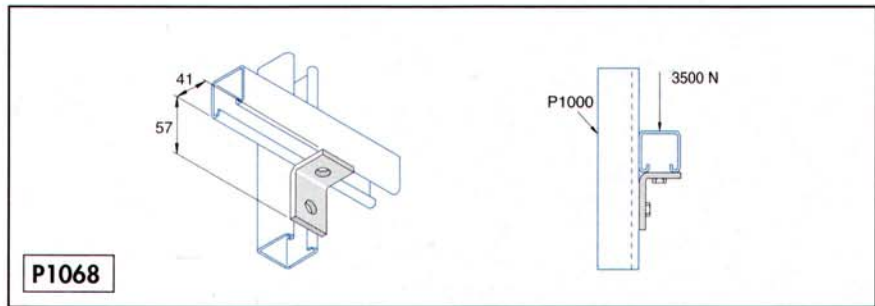
**P1026**

P1026	P1026SS	0,150	50



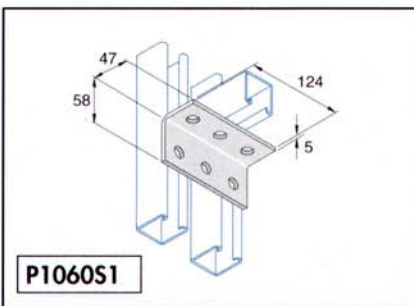
**P1033**

P1033	P1033SS	0,340	25



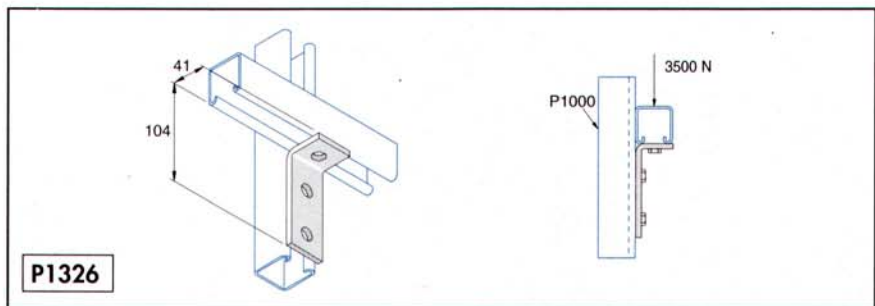
**P1068**

P1068	P1068SS	0,150	50



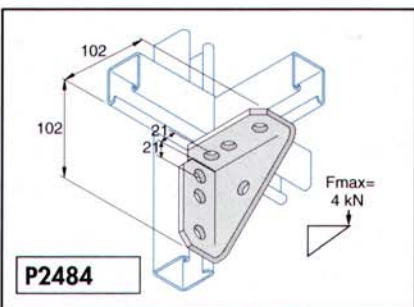
**P1060S1**

P1060S1	0,426	25



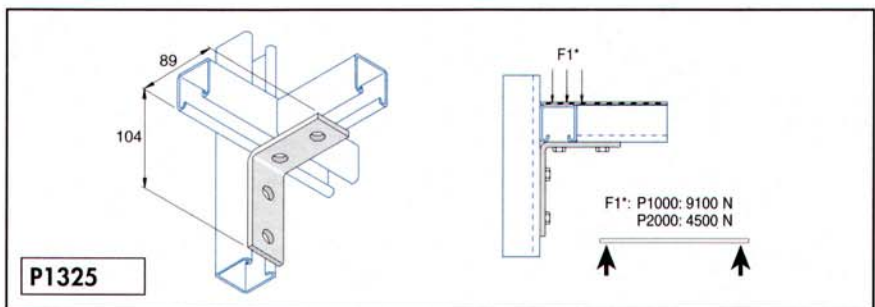
**P1326**

P1326	P1326SS	0,240	25



**P2484**

P2484	P2484SS	0,560	10

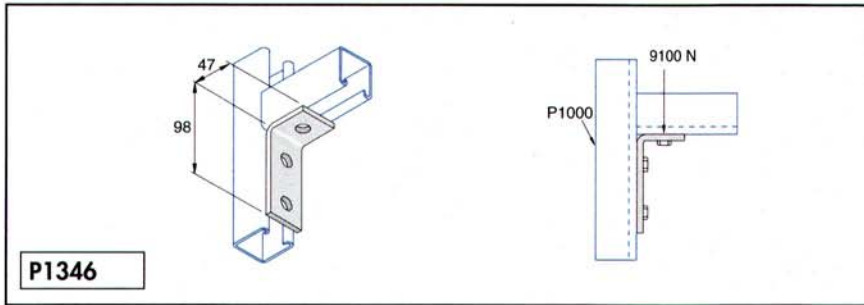


**P1325**

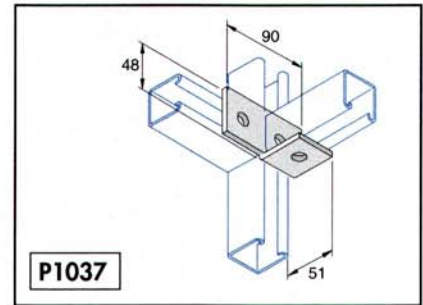
P1325	P1325SS	0,311	25

# UNISTRUT

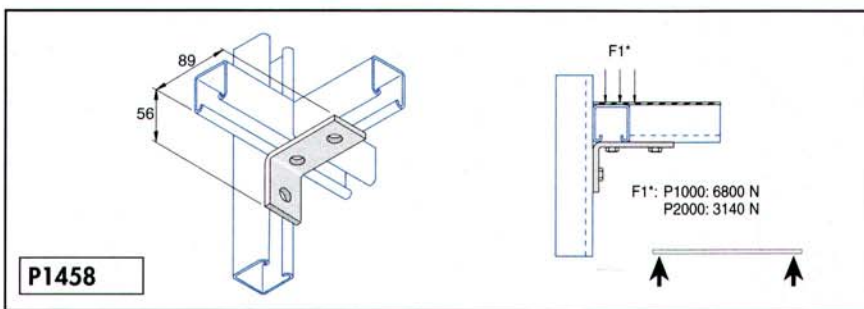
## GB Angle fittings 90°



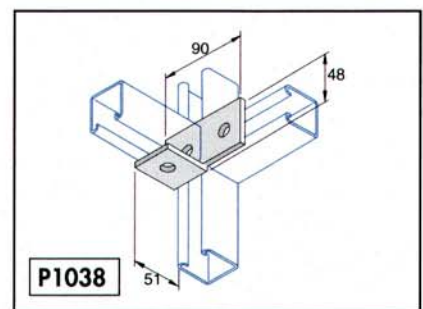
3	4	🔒	📦
P1346	P1346SS	0,240	25



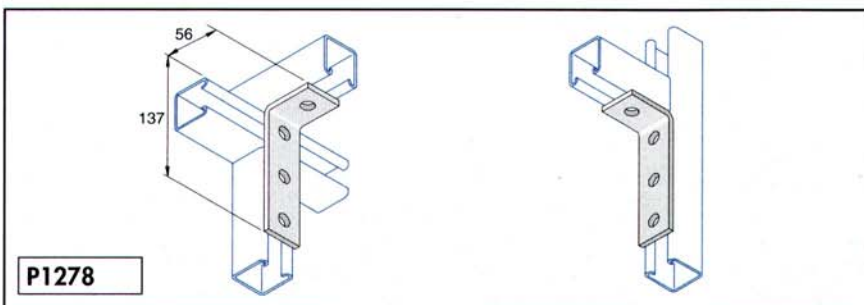
3	4	🔒	📦
P1037	P1037SS	0,250	25



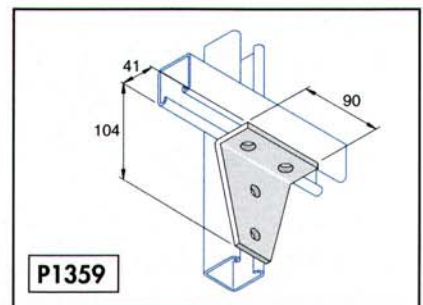
3	4	🔒	📦
P1458	P1458SS	0,240	25



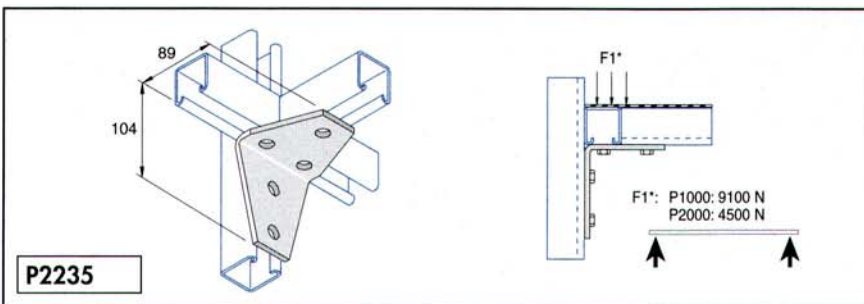
3	4	🔒	📦
P1038	P1038SS	0,250	25



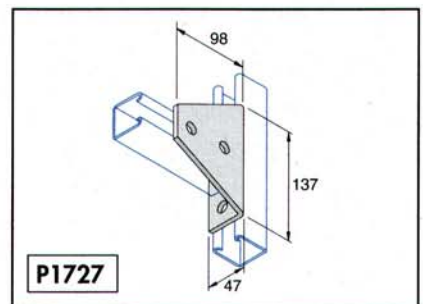
3	4	🔒	📦
P1278	P1278SS	0,311	25



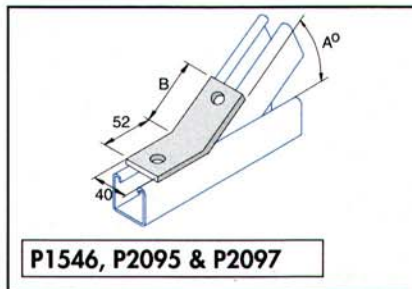
3	4	🔒	📦
P1359	P1359SS	0,450	10





3	🔒	📦
P2235	0,560	10

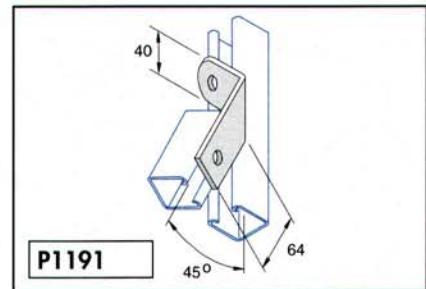


3	4	🔒	📦
P1727	P1727SS	0,650	10


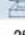


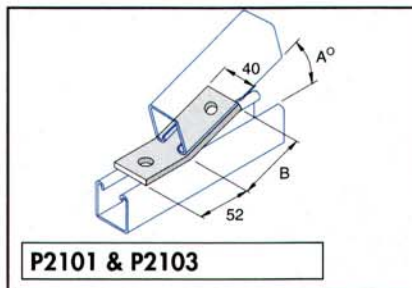
**P1546, P2095 & P2097**

3	4	A°	B (mm)		
P1546	P1546SS	45°	82	0,252	25
P2097	P2097SS	60°	81	0,246	25
P2095	P2095SS	75°	80	0,246	25

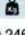
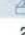


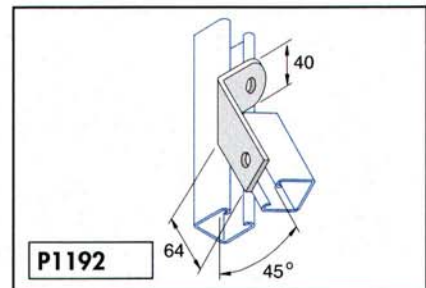
**P1191**

3		
P1191	0,230	25



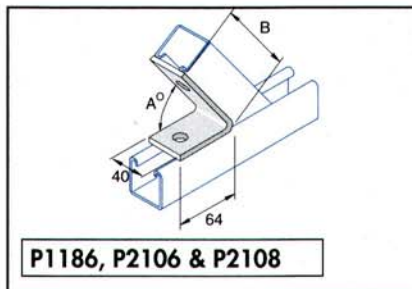
**P2101 & P2103**

3	4	A°	B (mm)		
P2101	P2101SS	30°	82,5	0,246	25
P2103		15°	84	0,246	25





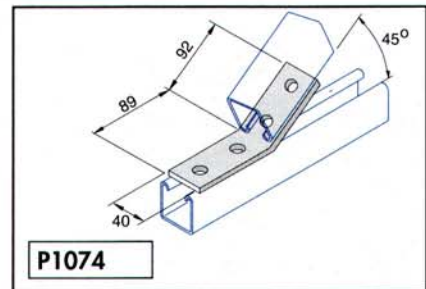
**P1192**

3		
P1192	0,230	25





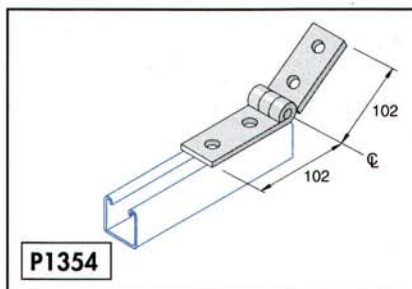
**P1186, P2106 & P2108**

3	4	A°	B (mm)		
P1186	P1186SS	45°	77	0,246	25
P2108	P2108SS	60°	79	0,246	25
P2106	P2106SS	75°	81	0,246	25



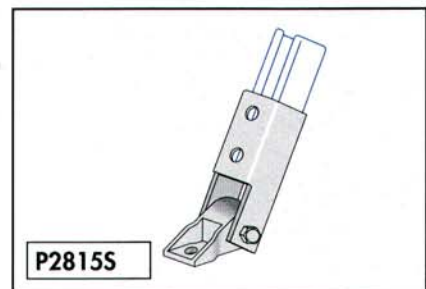
**P1074**

3	4		
P1074	P1074SS	0,311	25



**P1354**

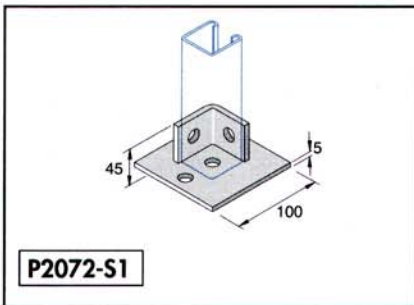
5		
P1354	0,452	10







**P2815S**

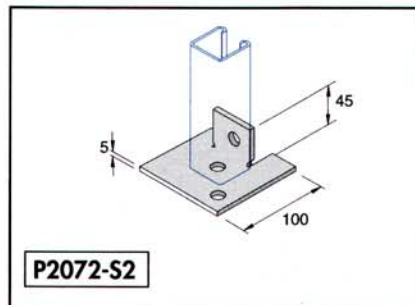
5		
P2815S	0,2	10




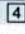




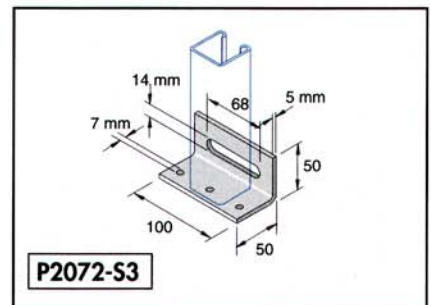
**P2072-S1**

			
P2072-S1	P2072S1SS	0,575	10



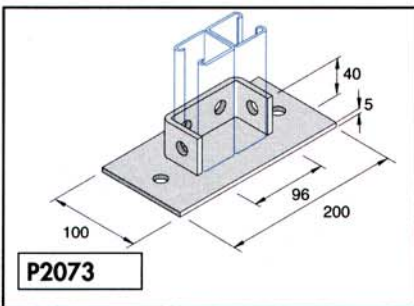
**P2072-S2**

			
P2072-S2	P2072S2SS	0,393	25


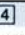




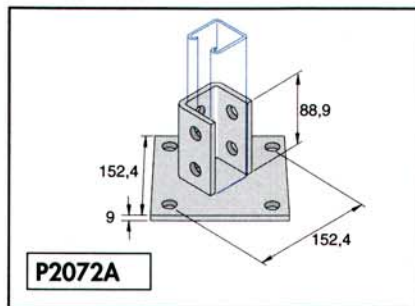
**P2072-S3**

		
P2072-S3	0,314	25







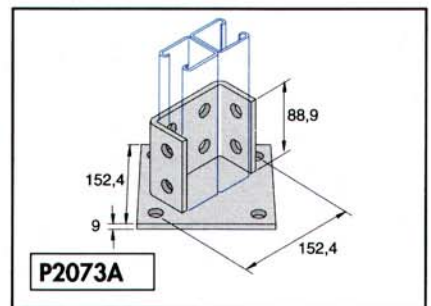
**P2073**

			
P2073	P2073SS	1,093	6




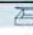


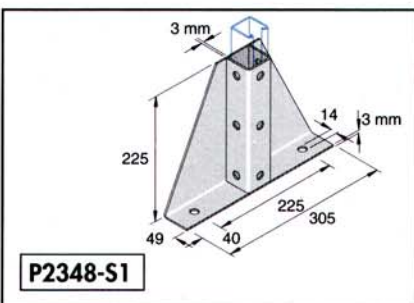
**P2072A**

			
P2072A	P2072ASS	0,169	1


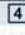




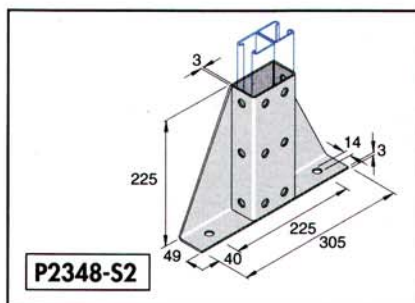
**P2073A**

			
P2073A	P2073ASS	0,185	1

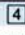




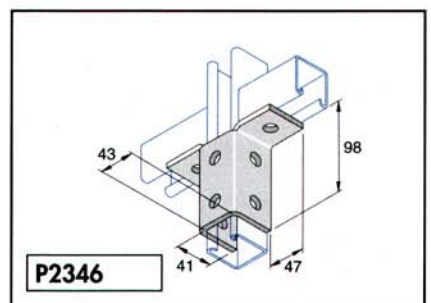
**P2348-S1**

			
P2348-S1	P2348S1SS	2,209	1

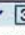
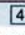




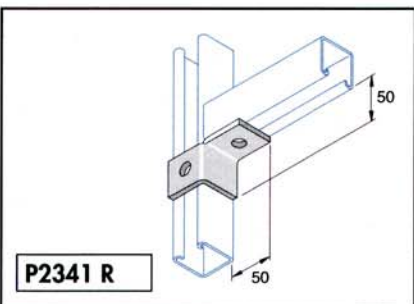
**P2348-S2**

			
P2348-S2	P2348S2SS	2,438	1



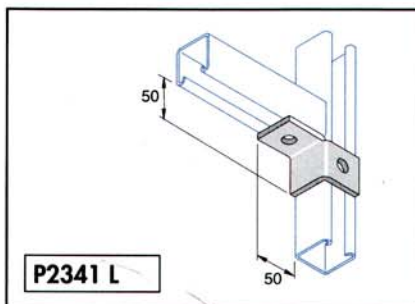
**P2346**

			
P2346	P2346SS	0,662	10

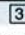
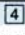




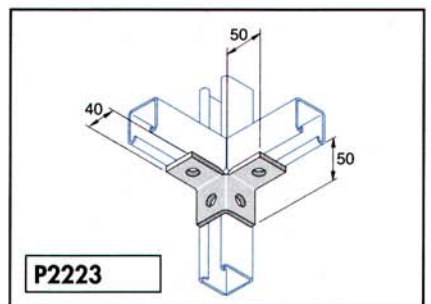
**P2341 R**

			
P2341R	P2341RSS	0,240	25




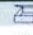


**P2341 L**

			
P2341L	P2341SS	0,240	25

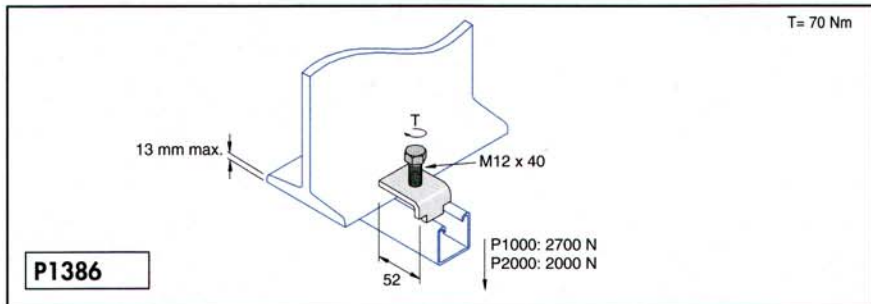


**P2223**

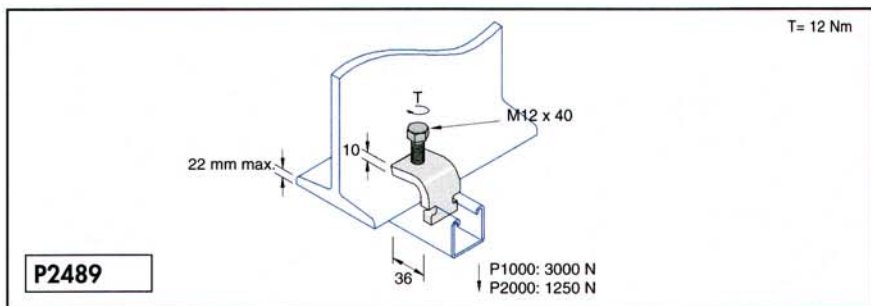
			
P2223	P2223SS	0,317	25

# UNISTRUT

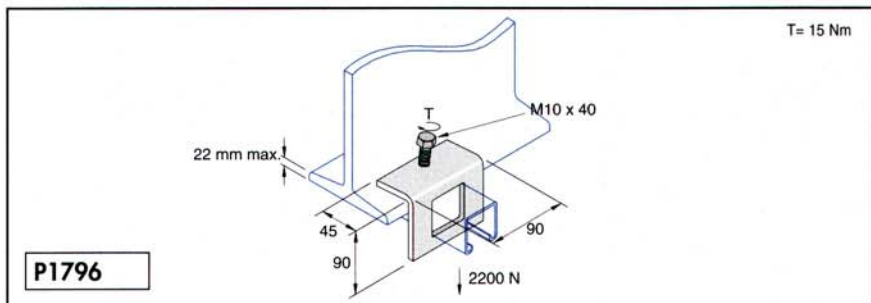
## GB Beam clamps



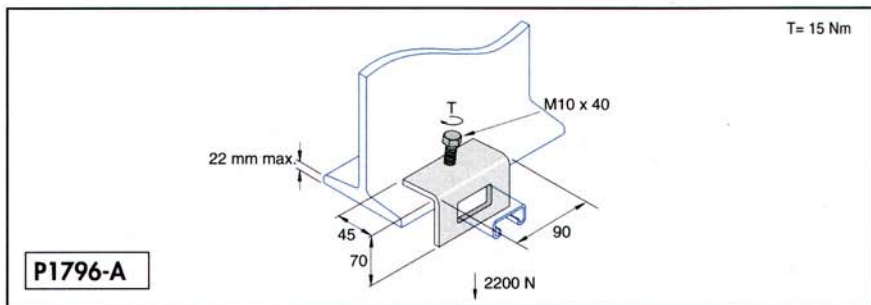
3	4		
P1386	P1386SS	0,042	50



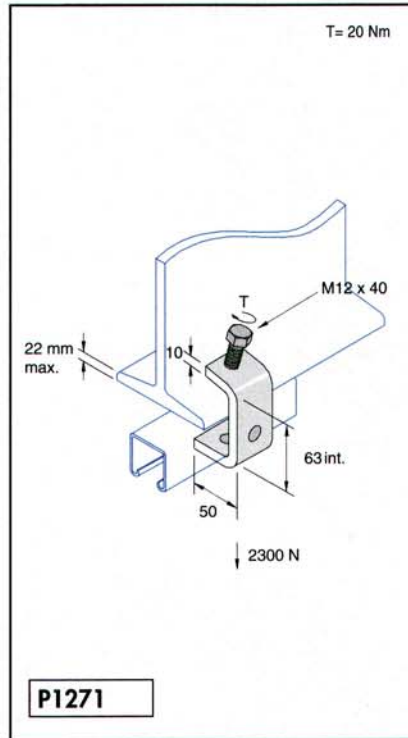
3		
P2489	0,220	25



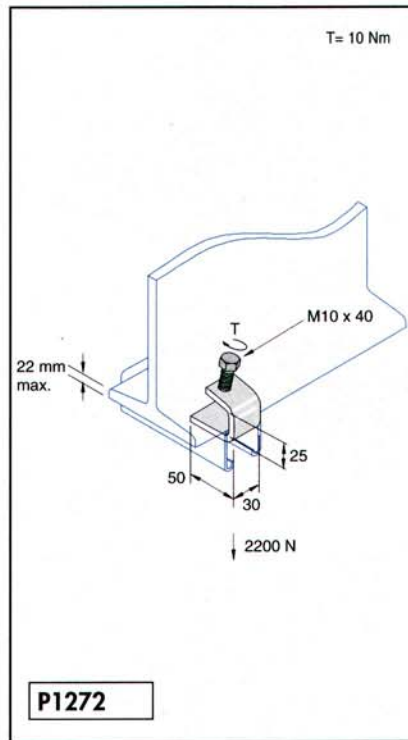
3	4		
P1796	P1796SS	0,430	10



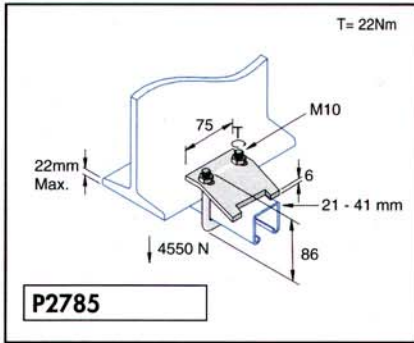
3	4		
P1796-A	P1796-ASS	0,390	10



3	4		
P1271	P1271SS	0,477	10

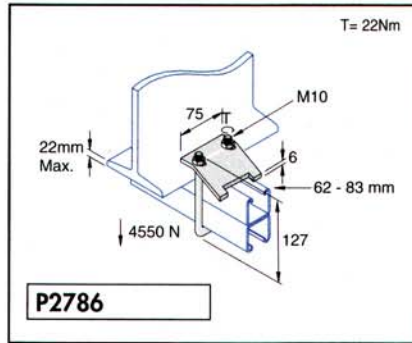


3		
P1272	0,137	50



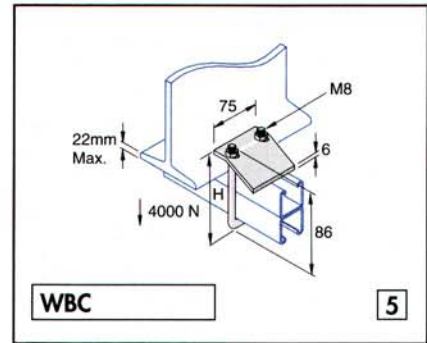
**P2785**

5	4	🔒	📦
P2785	P2785SS	0,360	25



**P2786**

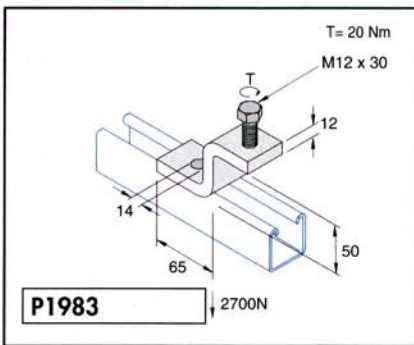
5	4	🔒	📦
P2786	P2786SS	0,400	10



**WBC**

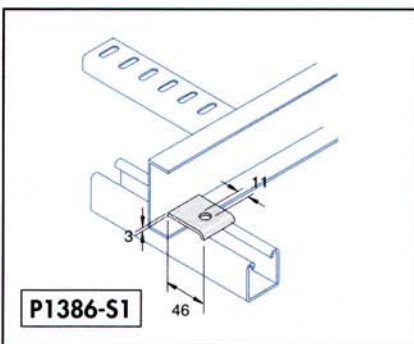
5

Art. nr	H mm	🔒 /100	📦
139 21 88	41 x 21	65	2,88
139 41 88	41 x 41	85	3,01
139 62 88	41 x 62	108	3,14
139 41 89	41 x 83	125	3,28
139 62 89	41 x 124	167	3,54



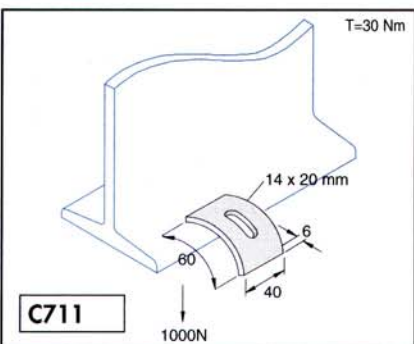
**P1983**

3	4	🔒	📦
P1983	P1983SS	0,508	10



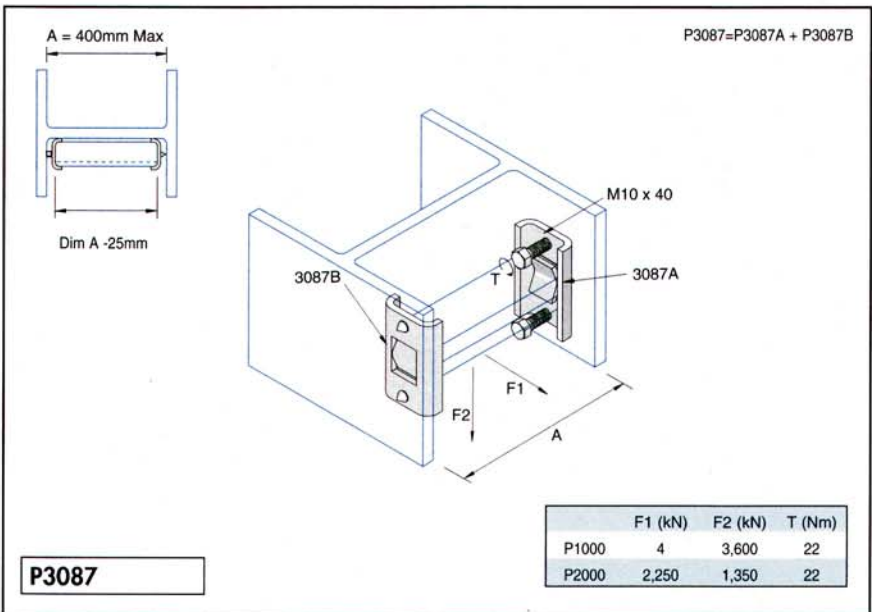
**P1386-S1**

5	🔒	📦
P1386-S1	0,042	100



**C711**

3	🔒	📦
C711	0,112	50



**P3087**

3	4	🔒	📦
P3087	P3087SS	0,670	10

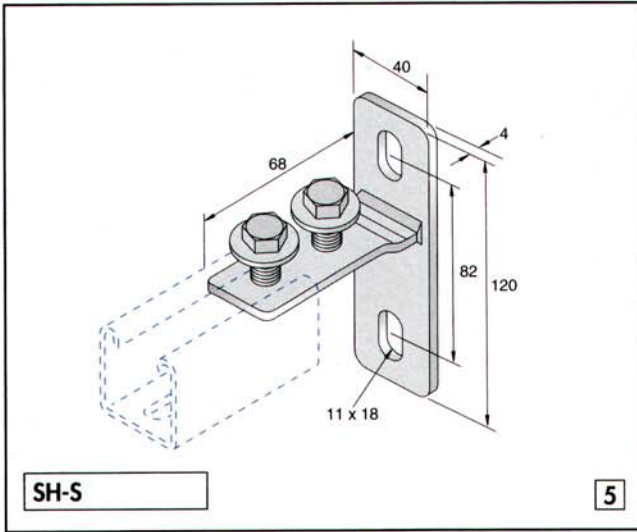
	F1 (kN)	F2 (kN)	T (Nm)
P1000	4	3,600	22
P2000	2,250	1,350	22

- F1\*:  
 -Load when used in pairs  
 -Angegebene Belastungswerte sind auf Basis von 2 gleichen Befestigungen am Stahlträger  
 -Les poids indiqués sont seulement pour une utilisation par paire

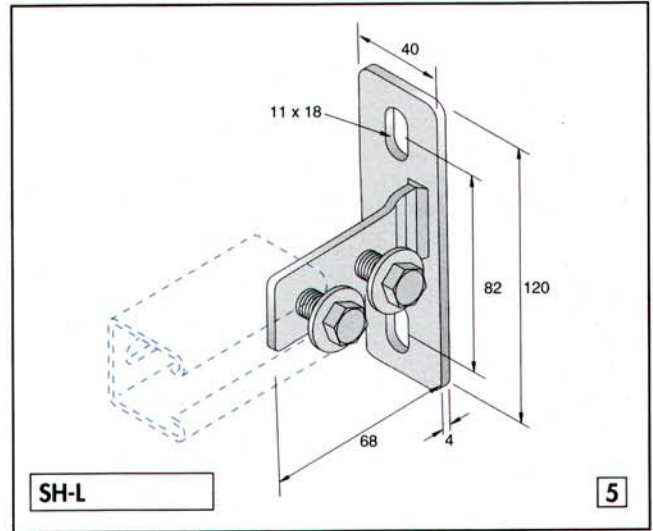


# UNISTRUT

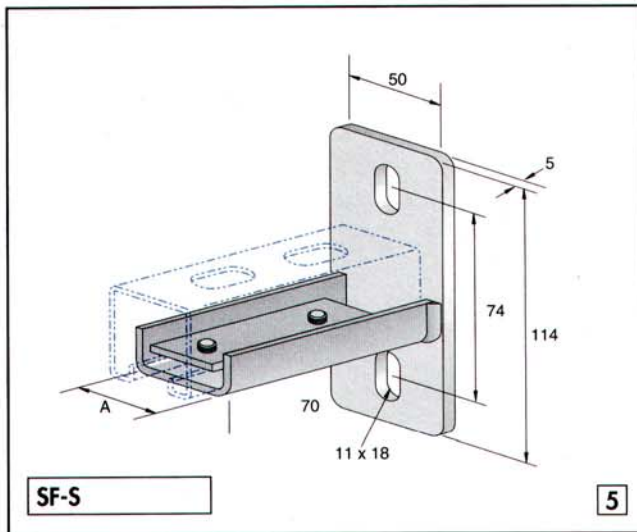
GB Channel foot bracket



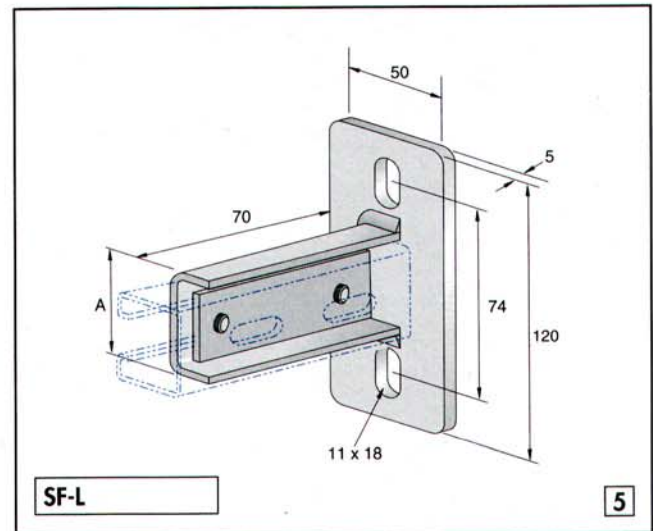
Art.nr.		
3910131	0,250	10



Art.nr.		
3910130	0,250	10

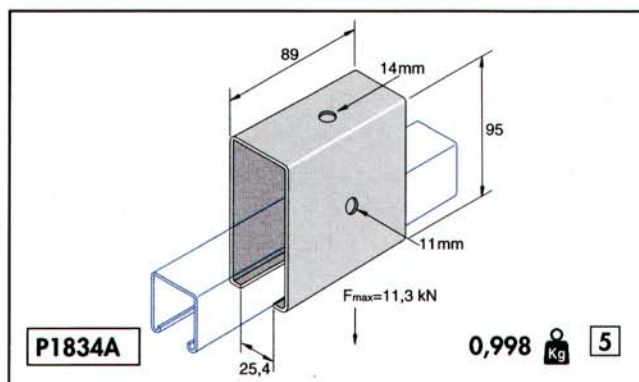
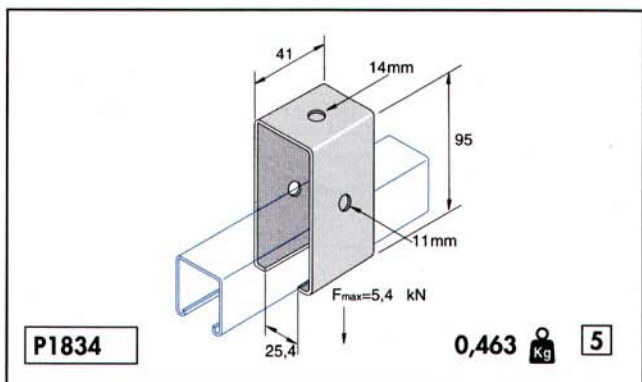
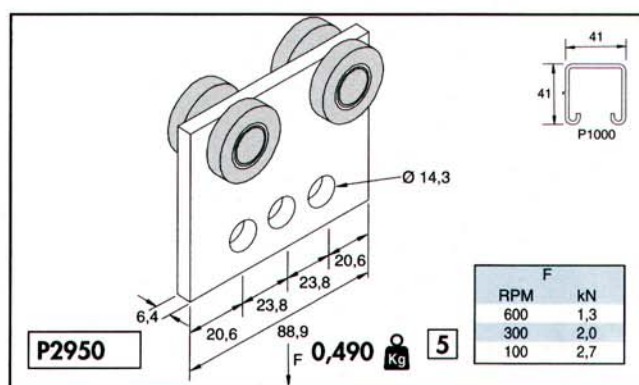
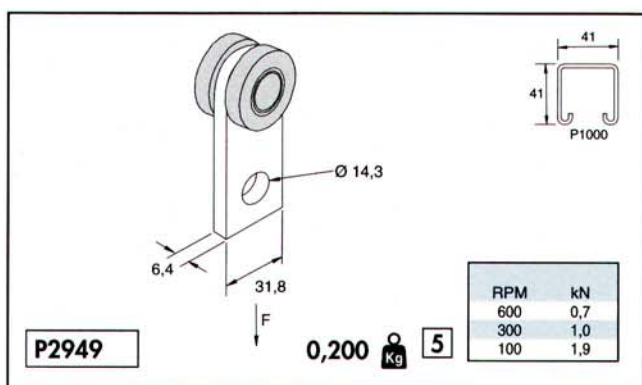
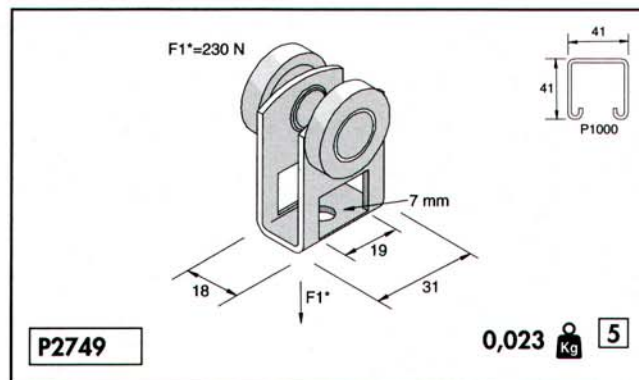
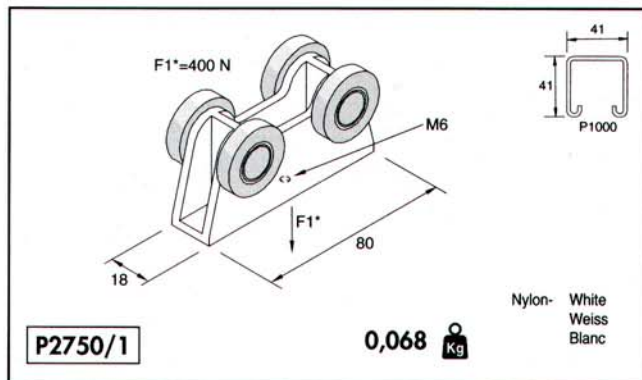


Art.nr.	A (mm)		
3910073	41	0,600	10



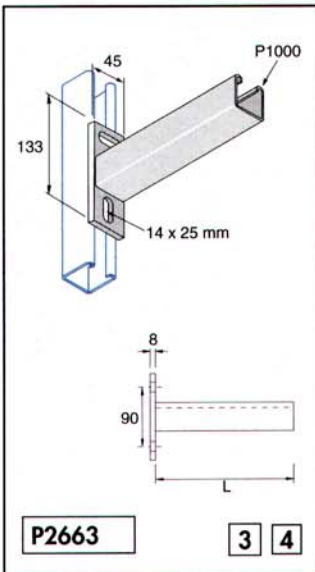
Art.nr.	A (mm)	B (mm)		
3910074	41	70	0,600	10



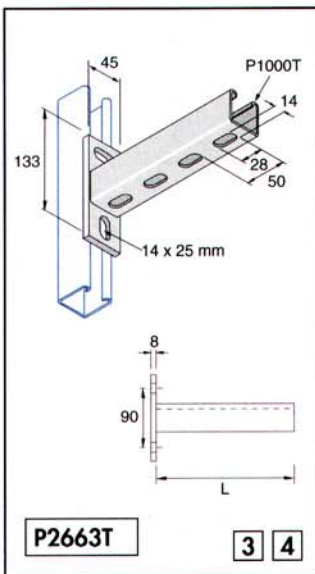


# UNISTRUT

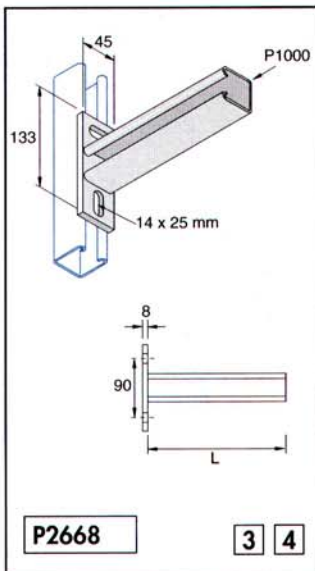
GB Cantilever arms



Art.nr.	P	⚙️	L (mm)				
P2663/150	3	0,80	160		6,20 kN	3,10 kN	2,06 kN
2663/150SS	4	0,80	160				
P2663/300	3	1,17	310		3,20 kN	1,60 kN	1,06 kN
2663/300SS	4	1,17	310				
P2663/450	3	1,59	460		2,15 kN	1,07 kN	0,71 kN
2663/450SS	4	1,59	460				
P2663/600	3	2,03	610		1,62 kN	0,81 kN	0,54 kN
2663/600SS	4	2,03	610				
P2663/750	3	2,53	760		1,30 kN	0,65 kN	0,43 kN
2663/750SS	4	2,53	760				



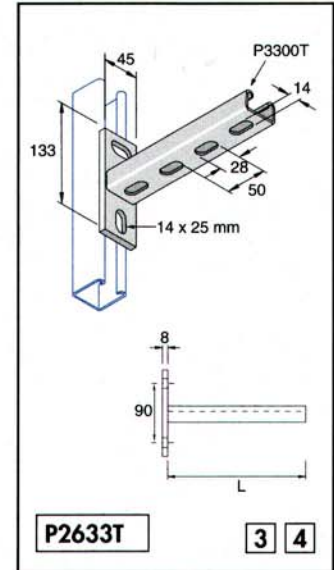
Art.nr.	P	⚙️	L (mm)				
P2663T150	3	0,96	160		6,12 kN	3,06 kN	2,04 kN
P2663T150S	4	0,96	160				
P2663T300	3	1,30	310		3,06 kN	1,53 kN	1,02 kN
P2663T300S	4	1,30	310				
P2663T450	3	1,74	460		2,04 kN	1,02 kN	0,68 kN
P2663T450S	4	1,74	460				
P2663T600	3	2,06	610		1,53 kN	0,76 kN	0,50 kN
P2663T600S	4	2,06	610				
P2663T750	3	2,30	760		1,22 kN	0,61 kN	0,40 kN
P2663T750S	4	2,30	760				



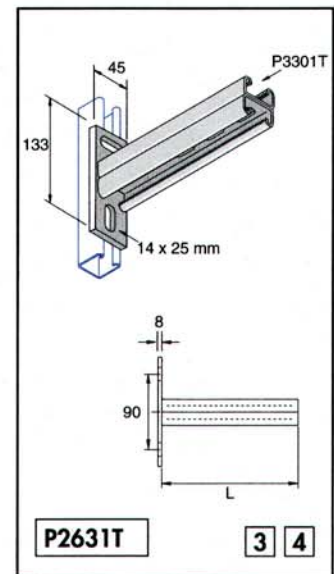
Art.nr.	P	⚙️	L (mm)				
P2668/150	3	0,80	160		6,20 kN	3,10 kN	2,06 kN
P2668/150S	4	0,80	160				
P2668/300	3	1,17	310		3,20 kN	1,60 kN	1,06 kN
P2668/300S	4	1,17	310				
P2668/450	3	1,59	460		2,15 kN	1,07 kN	0,71 kN
P2668/450S	4	1,59	460				
P2668/600	3	2,03	610		1,62 kN	0,81 kN	0,54 kN
P2668/600S	4	2,03	610				

GB - Loadings indicated are only applicable when 2 cantilever arms are used.

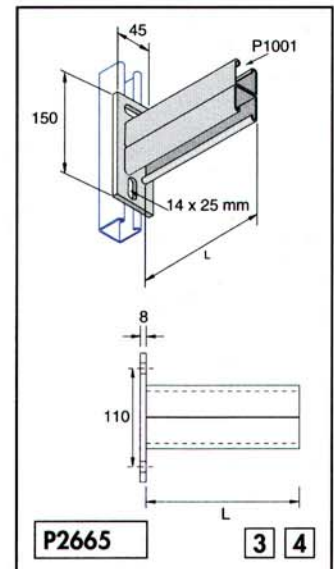
Art.nr.	P	L (mm)	Load configurations			
P2633T150	3	160	1.94 kN	0.97 kN	0.97 kN	0.64 kN
P2633T150S	4	160				
P2633T300	3	310	1.00 kN	0.50 kN	0.50 kN	0.33 kN
P2633T300S	4	310				
P2633T450	3	460	0.67 kN	0.33 kN	0.33 kN	0.22 kN
P2633T450S	4	460				



Art.nr.	P	L (mm)	Load configurations			
P2631T150	3	160	5.95 kN	2.97 kN	2.97 kN	1.98 kN
P2631T150S	4	160				
P2631T300	3	310	3.07 kN	1.53 kN	1.53 kN	1.02 kN
P2631T300S	4	310				
P2631T450	3	460	2.06 kN	1.03 kN	1.03 kN	0.68 kN
P2631T450S	4	460				
P2631T600	3	610	1.56 kN	0.78 kN	0.78 kN	0.52 kN
P2631T600S	4	610				
P2631T750	3	760	1.25 kN	0.62 kN	0.62 kN	0.41 kN
P2631T750S	4	760				



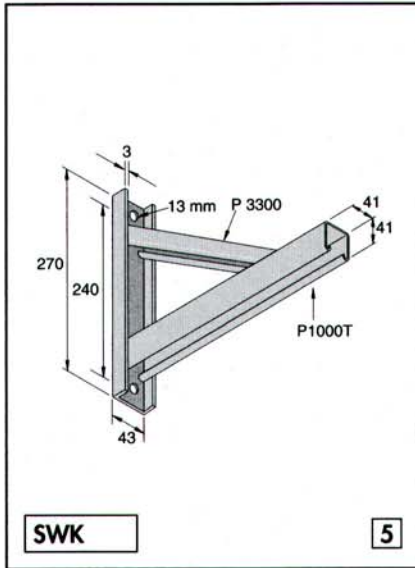
Art.nr.	P	L (mm)	Load configurations			
P2665/150	3	160	8.82 kN	4.41 kN	4.41 kN	2.94 kN
P2665/150S	4	160				
P2665/300	3	310	6.47 kN	3.23 kN	3.23 kN	2.15 kN
P2665/300S	4	310				
P2665/450	3	460	4.31 kN	2.15 kN	2.15 kN	1.43 kN
P2665/450S	4	460				
P2665/600	3	610	3.23 kN	1.61 kN	1.61 kN	1.07 kN
P2665/600S	4	610				
P2665/750	3	760	2.58 kN	1.29 kN	1.29 kN	0.86 kN
P2665/750S	4	760				



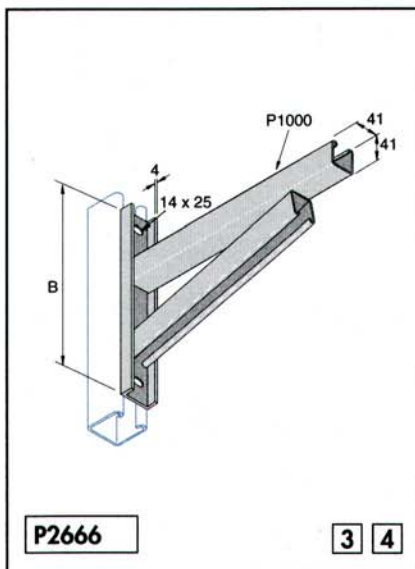


# UNISTRUT

GB Cantilever arms



Art.nr.	P	⚙️	L (mm)	$F_1$	$F_2$	$F_3$	$F_4$
140 30 02	5	1.371	300	6.46 kN	4.62 kN	-	-
140 45 02	5	1.780	450	4.04 kN	2.49 kN	2.15 kN	-
140 60 02	5	2.173	600	2.94 kN	1.70 kN	1.35 kN	1.24 kN



Art.nr.	P	B (mm)	⚙️	L (mm)	$F_1$	$F_2$	$F_3$
P2666/325	3	268	2,49	325	7,35 kN	3,67 kN	3,67 kN
P2666/325S	4	268	2,49	325			2,45 kN
P2666/475	3	314	3,40	475	4,90 kN	2,45 kN	2,45 kN
P2666/475S	4	314	3,40	475			1,63 kN
P2666/625	3	360	4,49	625	3,67 kN	1,83 kN	1,83 kN
P2666/625S	4	360	4,49	625			1,22 kN
P2666/775	3	406	5,48	775	2,94 kN	1,47 kN	1,47 kN
P2666/775S	4	406	5,48	775			0,98 kN



# UNISTRUT P1000

T=14 x 28

50

41

41

2.5mm

Y, Z  
X, Y

A = 3.00 cm<sup>2</sup>  
 $\rho$ /m = 2.73 kg/m  
 I<sub>x-x</sub> = 6.10 cm<sup>4</sup>  
 I<sub>z-z</sub> = 2.87 cm<sup>4</sup>  
 r<sub>x-x</sub> = 1.42 cm  
 I<sub>y-y</sub> = 9.17 cm<sup>4</sup>  
 I<sub>z-z</sub> = 4.44 cm<sup>4</sup>  
 r<sub>y-y</sub> = 1.74 cm

**P1000T**

**1 2 3 4**

L(mm)	F		f=1/200L F (kN)	f=1/360L F (kN)	F (kN)
	Fmax(kN)	fmax(mm)			
250	16.069	0.27	-	-	16.283
500	8.034	1.05	-	-	16.039
750	5.356	2.35	-	4.738	15.274
1000	4.012	4.18	-	2.659	13.626
1250	3.208	6.54	3.071	1.707	11.880
1500	2.678	9.41	2.129	1.177	10.418
1750	2.296	12.81	1.560	0.863	9.231
2000	2.001	16.73	1.197	0.657	8.270
2250	1.785	21.18	0.942	0.520	7.465
2500	1.599	26.15	0.765	0.422	6.779
2750	1.452	31.64	0.628	0.343	6.190*
3000	1.334	37.65	0.530	0.294	5.670*

Art.Nr.	serrated verzahnt cranté
P10112	<input type="checkbox"/> <input type="checkbox"/>
P10122	<input type="checkbox"/> <input checked="" type="checkbox"/>

**P** : finish, Ausführung, finition

**L** : length, Länge, longueur  
3 + 6 m

\*k.L/r =>180 < 250

41

41

2.5mm

Y, Z  
X, Y

A = 3.35 cm<sup>2</sup>  
 $\rho$ /m = 2.88 kg/m  
 I<sub>x-x</sub> = 7.21 cm<sup>4</sup>  
 I<sub>z-z</sub> = 3.10 cm<sup>4</sup>  
 r<sub>x-x</sub> = 1.46 cm  
 I<sub>y-y</sub> = 9.23 cm<sup>4</sup>  
 I<sub>z-z</sub> = 4.47 cm<sup>4</sup>  
 r<sub>y-y</sub> = 1.66 cm

**P1000**

**1 2 3 4**

L(mm)	F		f=1/200L F (kN)	f=1/360L F (kN)	F (kN)
	Fmax(kN)	fmax(mm)			
250	17.354	0.23	-	-	16.608
500	8.672	0.95	-	-	16.187
750	5.778	2.15	-	5.602	15.245
1000	4.336	3.82	-	3.149	13.685
1250	3.463	5.97	-	2.011	12.086
1500	2.884	8.60	2.521	1.393	10.722
1750	2.472	11.70	1.844	1.020	9.575
2000	2.168	15.29	1.413	0.785	8.623
2250	1.923	19.35	1.118	0.618	7.819
2500	1.727	23.89	0.903	0.500	7.112
2750	1.570	28.91	0.746	0.412	6.504*
3000	1.442	34.40	0.628	0.343	5.955*

Art.Nr.	serrated verzahnt cranté
P10111	<input type="checkbox"/> <input type="checkbox"/>
P10121	<input type="checkbox"/> <input checked="" type="checkbox"/>

**P** : finish, Ausführung, finition

**L** : length, Länge, longueur  
3 + 6 m

\*k.L/r =>180 < 250

# UNISTRUT P1001

$A = 6.00 \text{ cm}^2$   
 $\lambda/m = 5.47 \text{ kg/m}$   
 $I_{x-x} = 36.21 \text{ cm}^4$   
 $Z_{x-x} = 8.77 \text{ cm}^3$   
 $r_{x-x} = 2.45 \text{ cm}$   
 $I_{y-y} = 18.34 \text{ cm}^4$   
 $Z_{y-y} = 8.88 \text{ cm}^3$   
 $r_{y-y} = 1.74 \text{ cm}$

**P1001T**

1
2
3
4

L(mm)	F		f=1/200L	f=1/360L	F(kN)
	Fmax(kN)	fmax(mm)			
250	-	-	-	-	27.458
500	-	-	-	-	27.311
750	16.363	1.21	-	-	27.027
1000	12.272	2.15	-	-	26.585
1250	9.820	3.36	-	-	25.830
1500	8.182	4.84	-	7.034	24.584
1750	7.014	6.59	-	5.170	22.906
2000	6.131	8.61	-	3.953	21.042
2250	5.454	10.90	-	3.120	19.198
2500	4.905	13.46	4.552	2.531	17.452
2750	4.464	16.28	3.767	2.090	15.852
3000	4.091	19.38	3.159	1.756	14.391*

Art.Nr. serrated verzahnt cranté

P10222 P L ✓

P : finish, Ausführung, finition

L : length, Länge, longueur 3 + 6 m

\*k.L/r => 180 < 250

$A = 6.70 \text{ cm}^2$   
 $\lambda/m = 5.77 \text{ kg/m}$   
 $I_{x-x} = 36.27 \text{ cm}^4$   
 $Z_{x-x} = 8.78 \text{ cm}^3$   
 $r_{x-x} = 2.32 \text{ cm}$   
 $I_{y-y} = 18.46 \text{ cm}^4$   
 $Z_{y-y} = 8.94 \text{ cm}^3$   
 $r_{y-y} = 1.66 \text{ cm}$

**P1001**

1
2
3
4

L(mm)	F		f=1/200L	f=1/360L	F(kN)
	Fmax(kN)	fmax(mm)			
250	-	-	-	-	28.253
500	-	-	-	-	28.096
750	16.383	1.21	-	-	27.792
1000	12.292	2.15	-	-	27.301
1250	9.830	3.36	-	-	26.438
1500	8.191	4.84	-	7.044	25.025
1750	7.024	6.59	-	5.170	23.220
2000	6.141	8.61	-	3.963	21.288
2250	5.454	10.89	-	3.129	19.394
2500	4.915	13.45	4.562	2.531	17.619
2750	4.464	16.27	3.767	2.090	15.990
3000	4.091	19.37	3.169	1.756	14.519*

Art.Nr. serrated verzahnt cranté

P10211 P L

P10221 P L ✓

P : finish, Ausführung, finition

L : length, Länge, longueur 3 + 6 m

\*k.L/r => 180 < 250

P 3

Continuously seam welded

Längsverschweißt

Soudure complet

# UNISTRUT P3300

**P3300T**

T = 14 x 28 mm

50

41

21

2.5mm

Y, Z  
X, Y, Z

A = 1.97 cm<sup>2</sup>  
 $\rho$ /m = 1.76 kg/m  
 I x-x = 0.98 cm<sup>4</sup>  
 Z x-x = 0.89 cm<sup>3</sup>  
 r x-x = 0.70 cm  
 I y-y = 5.29 cm<sup>4</sup>  
 Z y-y = 2.56 cm<sup>3</sup>  
 r y-y = 1.63 cm

**1 2 3 4**

L(mm)	F		f=1/200L F (kN)	f=1/360L F (kN)	F (kN)
	Fmax(kN)	fmax(mm)			
250	4.983	0.50	-	-	-
500	2.492	2.01	-	1.707	-
750	1.658	4.54	1.364	0.755	-
1000	1.246	8.07	0.765	0.422	-
1250	0.991	12.61	0.491	0.265	-
1500	0.824	18.17	0.334	-	-
1750	0.706	24.73	0.245	-	-
2000	0.618	32.30	-	-	-

Art.Nr.	serrated verzahnt cranté
P33112	<input type="checkbox"/> <input type="checkbox"/>
P33122	<input type="checkbox"/> <input checked="" type="checkbox"/>

: finish, Ausführung, finition

: length, Länge, longueur  
3 + 6 m

**P3300**

41

21

2.5mm

Y, Z  
X, Y, Z

A = 2.32 cm<sup>2</sup>  
 $\rho$ /m = 1.91 kg/m  
 I x-x = 1.19 cm<sup>4</sup>  
 Z x-x = 0.97 cm<sup>3</sup>  
 r x-x = 0.71 cm  
 I y-y = 5.34 cm<sup>4</sup>  
 Z y-y = 2.59 cm<sup>3</sup>  
 r y-y = 1.51 cm

**1 2 3 4**

L(mm)	F		f=1/200L F (kN)	f=1/360L F (kN)	F (kN)
	Fmax(kN)	fmax(mm)			
250	5.425	0.45	-	-	10.222
500	2.708	1.81	-	2.080	9.761
750	1.805	4.07	1.658	0.922	8.427
1000	1.354	7.24	0.932	0.520	6.769
1250	1.079	11.32	0.598	0.324	5.376
1500	0.903	16.30	0.412	0.226	4.287*
1750	0.775	22.19	0.304	-	3.463*
2000	0.677	28.99	0.226	-	-

Art.Nr.	serrated verzahnt cranté
P33111	<input type="checkbox"/> <input type="checkbox"/>
P33121	<input type="checkbox"/> <input checked="" type="checkbox"/>

: finish, Ausführung, finition

: length, Länge, longueur  
3 + 6 m

\*k.L/r >> 180 < 250



# UNISTRUT P3301

Y<sub>c</sub> Z<sub>c</sub>  
X<sub>c</sub> Y<sub>c</sub>

A = 3.94 cm<sup>2</sup>  
 $\rho/m = 3.53 \text{ kg/m}$   
 $I_{x-x} = 5.62 \text{ cm}^4$   
 $Z_{x-x} = 2.72 \text{ cm}^3$   
 $r_{x-x} = 1.19 \text{ cm}$   
 $I_{y-y} = 10.58 \text{ cm}^4$   
 $Z_{y-y} = 5.12 \text{ cm}^3$   
 $r_{y-y} = 1.63 \text{ cm}$

41  
2.5mm

T = 14 x 28 mm

**1 2 3 4**

**P3301T**

L(mm)	F		f=1/200L	f=1/360L	F(kN)
	Fmax(kN)	fmax(mm)			
250	15.225	0.26	-	-	17.266
500	7.613	1.07	-	-	17.030
750	5.072	2.42	-	4.365	16.599
1000	3.806	4.30	-	2.453	15.667
1250	3.041	6.72	2.825	1.570	14.156
1500	2.531	9.68	1.962	1.089	12.478
1750	2.168	13.18	1.442	0.795	10.899
2000	1.903	17.21	1.099	0.608	9.496
2250	1.687	21.78	0.873	0.481	8.289*
2500	1.521	26.86	0.706	0.392	7.250*
2750	1.383	32.54	0.579	0.324	6.377*
3000	1.265	38.73	0.491	0.265	-

Art.Nr. serrated verzahnt cranté

P33222 **P** **L** ✓

**P** : finish, Ausführung, finition

**L** : length, Länge, longueur  
3 + 6 m

\*k.L/r => 180 < 250

Y<sub>c</sub> Z<sub>c</sub>  
X<sub>c</sub> Y<sub>c</sub>

A = 4.64 cm<sup>2</sup>  
 $\rho/m = 3.76 \text{ kg/m}$   
 $I_{x-x} = 5.64 \text{ cm}^4$   
 $Z_{x-x} = 2.73 \text{ cm}^3$   
 $r_{x-x} = 1.10 \text{ cm}$   
 $I_{y-y} = 10.68 \text{ cm}^4$   
 $Z_{y-y} = 5.18 \text{ cm}^3$   
 $r_{y-y} = 1.51 \text{ cm}$

41  
2.5mm

**1 2 3 4**

**P3301**

L(mm)	F		f=1/200L	f=1/360L	F(kN)
	Fmax(kN)	fmax(mm)			
250	15.284	0.26	-	-	17.992
500	7.642	1.07	-	-	17.746
750	5.091	2.42	-	4.375	17.226
1000	3.816	4.30	-	2.462	16.079
1250	3.051	6.72	2.835	1.570	14.401
1500	2.541	9.68	1.972	1.089	12.645
1750	2.178	13.18	1.442	0.804	11.017
2000	1.903	17.21	1.109	0.608	9.584*
2250	1.697	21.79	0.873	0.481	8.358*
2500	1.521	26.90	0.706	0.392	7.308*
2750	1.383	32.55	0.579	0.324	6.426*
3000	1.265	38.73	0.491	0.265	-

Art.Nr. serrated verzahnt cranté

P33211 **P** **L**  
P33221 **P** **L** ✓

**P** : finish, Ausführung, finition

**L** : length, Länge, longueur  
3 + 6 m

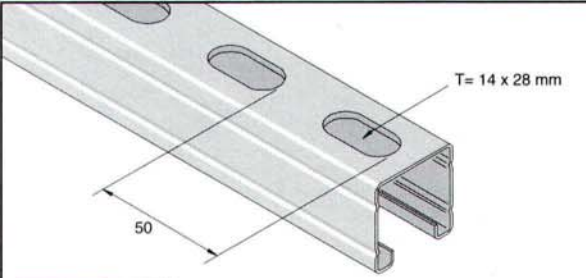
\*k.L/r => 180 < 250

**P** 3

Continuously seam welded

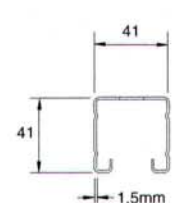


# UNISTRUT P2000




T = 14 x 28 mm

50



41

1,5mm



Y, Z  
X, Y

A = 1.92 cm<sup>2</sup>  
 $\rho$ /m = 1.72 kg/m  
 I x-x = 4.24 cm<sup>4</sup>  
 Z x-x = 2.04 cm<sup>4</sup>  
 r x-x = 1.48 cm  
 I y-y = 6.10 cm<sup>4</sup>  
 Z y-y = 2.95 cm<sup>4</sup>  
 r y-y = 1.78 cm

**P2000T**

**2 3**


L(mm)	F		f = 1/200L	f = 1/360L	F (kN)
	Fmax(kN)	fmax(mm)			
250	11.419	0.26	-	-	11.350
500	5.709	1.06	-	-	11.183
750	3.806	2.40	-	3.296	10.654
1000	2.855	4.27	-	1.854	9.310
1250	2.276	6.68	2.129	1.177	7.799
1500	1.903	9.62	1.481	0.824	6.543
1750	1.628	13.10	1.089	0.598	5.552
2000	1.422	17.11	0.834	0.461	4.787
2250	1.265	21.65	0.657	0.363	4.179
2500	1.138	26.73	0.530	0.294	3.698
2750	1.030	32.35	0.432	0.235	3.306*
3000	0.952	38.50	0.363	0.206	2.992*

Art.Nr.
P20112 [P][L]

[P] : finish, Ausführung, finition

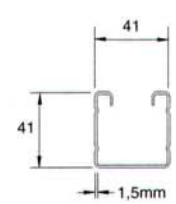
[L] : length, Länge, longueur  
3 + 6 m

\*k.L/r > 180 < 250




41

1,5mm



41

1,5mm



Y, Z  
X, Y

A = 2.13 cm<sup>2</sup>  
 $\rho$ /m = 1.81 kg/m  
 I x-x = 4.98 cm<sup>4</sup>  
 Z x-x = 2.19 cm<sup>4</sup>  
 r x-x = 1.52 cm  
 I y-y = 6.13 cm<sup>4</sup>  
 Z y-y = 2.97 cm<sup>4</sup>  
 r y-y = 1.69 cm

**P2000**

**2 3**

L(mm)	F		f = 1/200L	f = 1/360L	F (kN)
	Fmax(kN)	fmax(mm)			
250	12.263	0.24	-	-	11.546
500	6.131	0.97	-	-	11.242
750	4.081	2.19	-	3.865	10.536
1000	3.061	3.91	-	2.178	9.241
1250	2.453	6.11	-	1.393	7.848
1500	2.040	8.79	1.736	0.961	6.661
1750	1.746	11.97	1.275	0.706	5.709
2000	1.530	15.64	0.971	0.540	4.964
2250	1.354	19.79	0.765	0.422	4.356
2500	1.226	24.44	0.618	0.343	3.875
2750	1.109	29.57	0.510	0.284	3.483*
3000	1.020	35.19	0.432	0.235	3.149*

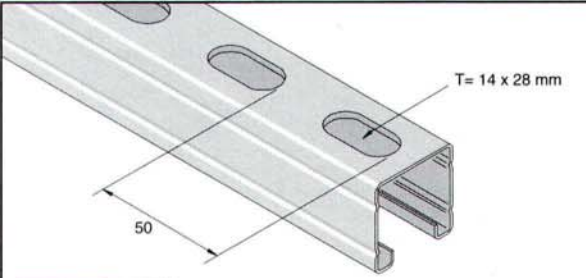
Art.Nr.
P20111 [P][L]

[P] : finish, Ausführung, finition

[L] : length, Länge, longueur  
3 + 6 m

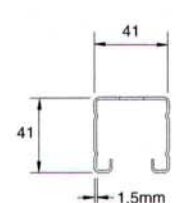
\*k.L/r > 180 < 250

# UNISTRUT P2000




T = 14 x 28 mm

50



41

1,5mm



Y  
Z  
X  
Y

A = 1.92 cm<sup>2</sup>  
 $\rho$ /m = 1.72 kg/m  
 I x-x = 4.24 cm<sup>4</sup>  
 Z x-x = 2.04 cm<sup>4</sup>  
 r x-x = 1.48 cm  
 I y-y = 6.10 cm<sup>4</sup>  
 Z y-y = 2.95 cm<sup>4</sup>  
 r y-y = 1.78 cm

**P2000T**

**2 3**


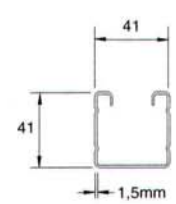
L(mm)	F		f = 1/200L	f = 1/360L	F (kN)
	Fmax(kN)	fmax(mm)			
250	11.419	0.26	-	-	11.350
500	5.709	1.06	-	-	11.183
750	3.806	2.40	-	3.296	10.654
1000	2.855	4.27	-	1.854	9.310
1250	2.276	6.68	2.129	1.177	7.799
1500	1.903	9.62	1.481	0.824	6.543
1750	1.628	13.10	1.089	0.598	5.552
2000	1.422	17.11	0.834	0.461	4.787
2250	1.265	21.65	0.657	0.363	4.179
2500	1.138	26.73	0.530	0.294	3.698
2750	1.030	32.35	0.432	0.235	3.306*
3000	0.952	38.50	0.363	0.206	2.992*

Art.Nr.
P20112 [P][L]

[P] : finish, Ausführung, finition


[L] : length, Länge, longueur  
3 + 6 m

\*k.L/r =>180 < 250

41

1,5mm



Y  
Z  
X  
Y

A = 2.13 cm<sup>2</sup>  
 $\rho$ /m = 1.81 kg/m  
 I x-x = 4.98 cm<sup>4</sup>  
 Z x-x = 2.19 cm<sup>4</sup>  
 r x-x = 1.52 cm  
 I y-y = 6.13 cm<sup>4</sup>  
 Z y-y = 2.97 cm<sup>4</sup>  
 r y-y = 1.69 cm

**P2000**

**2 3**

L(mm)	F		f = 1/200L	f = 1/360L	F (kN)
	Fmax(kN)	fmax(mm)			
250	12.263	0.24	-	-	11.546
500	6.131	0.97	-	-	11.242
750	4.081	2.19	-	3.865	10.536
1000	3.061	3.91	-	2.178	9.241
1250	2.453	6.11	-	1.393	7.848
1500	2.040	8.79	1.736	0.961	6.661
1750	1.746	11.97	1.275	0.706	5.709
2000	1.530	15.64	0.971	0.540	4.964
2250	1.354	19.79	0.765	0.422	4.356
2500	1.226	24.44	0.618	0.343	3.875
2750	1.109	29.57	0.510	0.284	3.483*
3000	1.020	35.19	0.432	0.235	3.149*


Art.Nr.
P20111 [P][L]

[P] : finish, Ausführung, finition

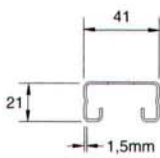
[L] : length, Länge, longueur  
3 + 6 m

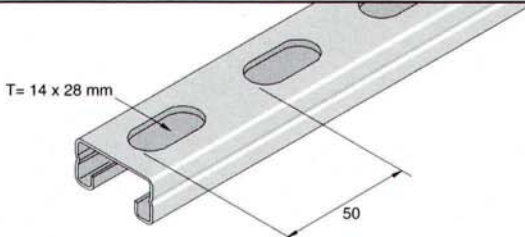
\*k.L/r =>180 < 250

# UNISTRUT P4000



$A = 1.30 \text{ cm}^2$   
 $\rho/m = 1.16 \text{ kg/m}$   
 $I_{x-x} = 0.75 \text{ cm}^4$   
 $Z_{x-x} = 0.70 \text{ cm}^3$   
 $r_{x-x} = 0.76 \text{ cm}$   
 $I_{y-y} = 3.64 \text{ cm}^4$   
 $Z_{y-y} = 1.76 \text{ cm}^3$   
 $r_{y-y} = 1.67 \text{ cm}$





**P4000T**

23


L(mm)	F		f=1/200L	f=1/360L	F(kN)
	Fmax(kN)	fmax(mm)			
250	3.914	0.51	-	-	-
500	1.952	2.07	-	1.305	-
750	1.305	4.66	1.040	0.579	-
1000	0.971	8.29	0.589	0.324	-
1250	0.775	12.96	0.373	0.206	-
1500	0.647	18.67	0.255	-	-
1750	0.559	25.41	-	-	-
2000	0.481	33.19	-	-	-

Art.Nr.

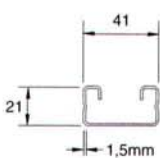
P40112 [P][L]


[P] : finish, Ausführung, finition

[L] : length, Länge, longueur  
3 + 6 m



$A = 1.51 \text{ cm}^2$   
 $\rho/m = 1.27 \text{ kg/m}$   
 $I_{x-x} = 0.90 \text{ cm}^4$   
 $Z_{x-x} = 0.75 \text{ cm}^3$   
 $r_{x-x} = 0.77 \text{ cm}$   
 $I_{y-y} = 3.68 \text{ cm}^4$   
 $Z_{y-y} = 1.78 \text{ cm}^3$   
 $r_{y-y} = 1.55 \text{ cm}$





**P4000**

23

L(mm)	F		f=1/200L	f=1/360L	F(kN)
	Fmax(kN)	fmax(mm)			
250	4.198	0.46	-	-	7.681
500	2.099	1.85	-	1.570	7.367
750	1.393	4.16	1.256	0.697	6.445
1000	1.049	7.41	0.706	0.392	5.199
1250	0.833	11.57	0.451	0.245	4.110
1500	0.696	16.67	0.314	-	3.277*
1750	0.598	22.69	0.226	-	2.639*
2000	0.519	29.64	-	-	-

Art.Nr.

P40111 [P][L]


[P] : finish, Ausführung, finition

[L] : length, Länge, longueur  
3 + 6 m

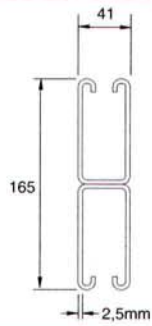
\*k.L/r => 180 < 250

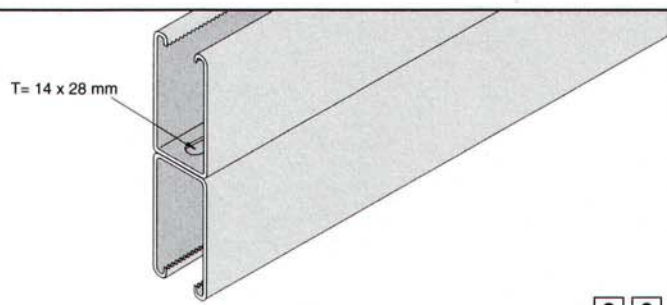


# UNISTRUT P5001



$A = 10.12 \text{ cm}^2$   
 $\frac{A}{m} = 8.11 \text{ kg/m}$   
 $I_{x-x} = 243.16 \text{ cm}^4$   
 $Z_{x-x} = 29.44 \text{ cm}^3$   
 $r_{x-x} = 4.90 \text{ cm}$   
 $I_{y-y} = 33.90 \text{ cm}^4$   
 $Z_{y-y} = 16.42 \text{ cm}^3$   
 $r_{y-y} = 1.83 \text{ cm}$





P5001T


2 3

L(mm)	F		f=1/200L	f=1/360L	F(kN)
	Fmax(kN)	fmax(mm)			
250	-	-	-	-	34.266
500	-	-	-	-	34.129
750	-	-	-	-	33.825
1000	-	-	-	-	33.432
1250	24.535	1.25	-	-	32.864
1500	20.444	1.80	-	-	32.010
1750	17.521	2.45	-	-	30.764
2000	15.333	3.20	-	-	29.165
2250	13.626	4.05	-	-	27.350
2500	12.263	5.00	-	-	25.467
2750	11.154	6.05	-	-	23.613
3000	10.222	7.21	-	-	21.847

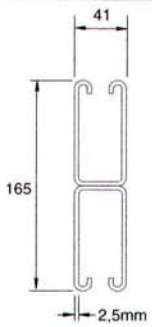
Art.Nr.	serrated verzahnt cranté
P50212	<input type="checkbox"/> <input type="checkbox"/> <input type="checkbox"/>
P50222	<input type="checkbox"/> <input type="checkbox"/> <input checked="" type="checkbox"/>


: finish, Ausführung, finition

: length, Länge, longueur  
3 + 6 m



$A = 10.82 \text{ cm}^2$   
 $\frac{A}{m} = 9.30 \text{ kg/m}$   
 $I_{x-x} = 243.17 \text{ cm}^4$   
 $Z_{x-x} = 29.44 \text{ cm}^3$   
 $r_{x-x} = 4.74 \text{ cm}$   
 $I_{y-y} = 34.00 \text{ cm}^4$   
 $Z_{y-y} = 16.48 \text{ cm}^3$   
 $r_{y-y} = 1.77 \text{ cm}$





P5001

2 3

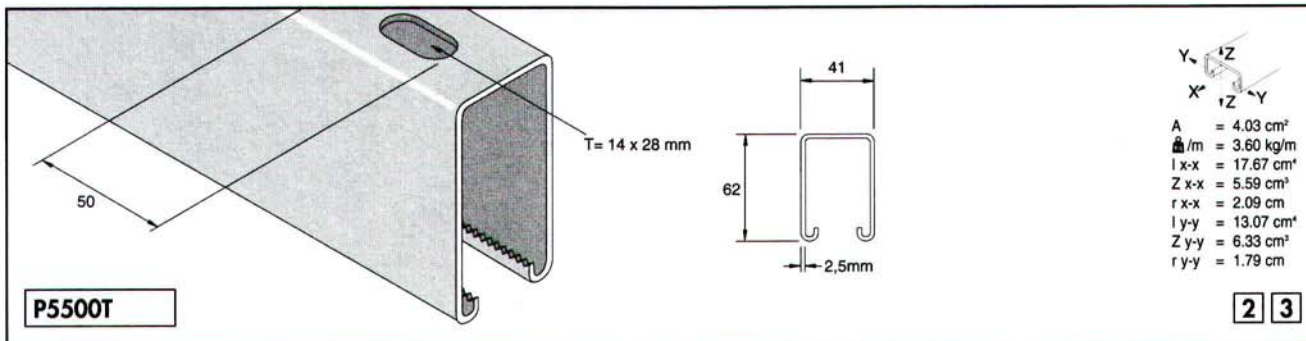
L(mm)	F		f=1/200L	f=1/360L	F(kN)
	Fmax(kN)	fmax(mm)			
250	-	-	-	-	34.855
500	-	-	-	-	34.698
750	-	-	-	-	34.394
1000	-	-	-	-	33.982
1250	24.535	1.25	-	-	33.374
1500	20.444	1.80	-	-	32.451
1750	17.521	2.45	-	-	31.117
2000	15.333	3.20	-	-	29.430
2250	13.626	4.05	-	-	27.546
2500	12.263	5.00	-	-	25.624
2750	11.154	6.05	-	-	23.740
3000	10.222	7.21	-	-	21.955

Art.Nr.	serrated verzahnt cranté
P50211	<input type="checkbox"/> <input type="checkbox"/> <input type="checkbox"/>
P50221	<input type="checkbox"/> <input type="checkbox"/> <input checked="" type="checkbox"/>

: finish, Ausführung, finition

: length, Länge, longueur  
3 + 6 m

# UNISTRUT P5500

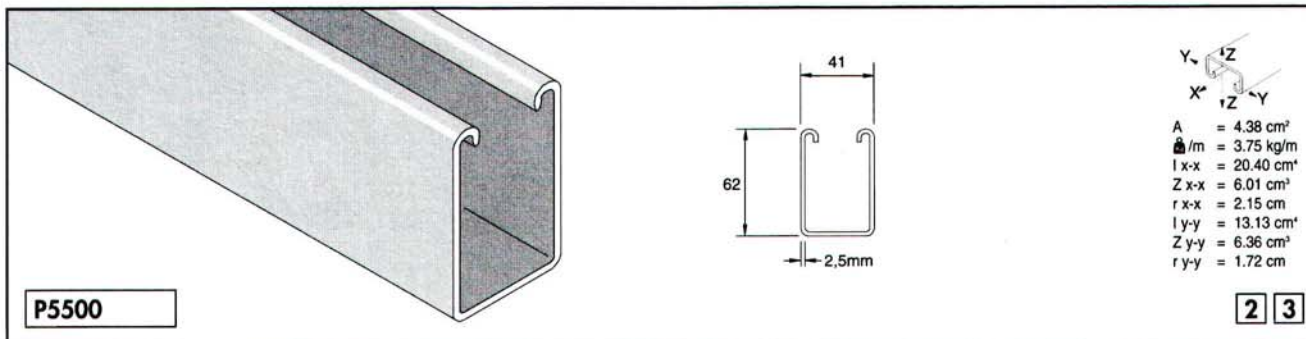


L(mm)	F		f=1/200L	f=1/360L	F(kN)
	F <sub>max</sub> (kN)	f <sub>max</sub> (mm)			
250	-	-	-	-	20.277
500	-	-	-	-	20.081
750	9.928	1.50	-	-	18.443
1000	7.446	2.67	-	-	15.245
1250	5.955	4.18	-	4.944	12.557
1500	4.964	6.02	-	3.434	10.507
1750	4.248	8.19	-	2.521	8.966
2000	3.718	10.70	3.473	1.923	7.789
2250	3.306	13.55	2.747	1.521	6.867
2500	2.972	16.73	2.217	1.236	6.141
2750	2.708	20.24	1.834	1.020	5.543
3000	2.482	24.09	1.540	0.853	5.042

Art.Nr.	serrated verzahnt cranté
P55112 [P] [L]	
P55122 [P] [L]	✓

[P] : finish, Ausführung, finition

[L] : length, Länge, longueur  
3 + 6 m



L(mm)	F		f=1/200L	f=1/360L	F(kN)
	F <sub>max</sub> (kN)	f <sub>max</sub> (mm)			
250	-	-	-	-	20.817
500	-	-	-	-	20.552
750	10.673	1.40	-	-	18.247
1000	8.005	2.49	-	-	14.822
1250	6.406	3.89	-	5.709	12.106
1500	5.337	5.60	-	3.963	10.085
1750	4.571	7.63	-	2.904	8.584
2000	4.002	9.97	-	2.227	7.436
2250	3.551	12.62	3.169	1.756	6.543
2500	3.198	15.58	2.560	1.422	5.837
2750	2.904	18.85	2.119	1.177	5.258
3000	2.668	22.43	1.776	0.991	4.768

Art.Nr.	serrated verzahnt cranté
P55111 [P] [L]	
P55121 [P] [L]	✓

[P] : finish, Ausführung, finition

[L] : length, Länge, longueur  
3 + 6 m

# UNISTRUT P5501

$A = 8.06 \text{ cm}^2$   
 $\rho/m = 7.21 \text{ kg/m}$   
 $I_{x-x} = 109.74 \text{ cm}^4$   
 $Z_{x-x} = 17.70 \text{ cm}^3$   
 $r_{x-x} = 3.69 \text{ cm}$   
 $I_{y-y} = 26.14 \text{ cm}^4$   
 $Z_{y-y} = 12.66 \text{ cm}^3$   
 $r_{y-y} = 1.80 \text{ cm}$

T = 14 x 28 mm

**2 3**

L(mm)	F		f=1/200L	f=1/360L	F(kN)
	Fmax(kN)	fmax(mm)			
250	-	-	-	-	34.747
500	-	-	-	-	34.590
750	-	-	-	-	34.257
1000	-	-	-	-	33.766
1250	-	-	-	-	32.971
1500	15.745	3.07	-	-	31.667
1750	13.499	4.18	-	-	29.822
2000	11.811	5.47	-	-	27.674
2250	10.497	6.92	-	9.476	25.457
2500	9.447	8.54	-	7.671	23.299
2750	8.584	10.34	-	6.337	21.288
3000	7.868	12.30	-	5.327	19.443

Art.Nr.	serrated verzahnt cranté
P55212	<input type="checkbox"/> <input type="checkbox"/> <input type="checkbox"/>
P55222	<input type="checkbox"/> <input type="checkbox"/> <input checked="" type="checkbox"/>

: finish, Ausführung, finition

: length, Länge, longueur  
3 + 6 m

$A = 8.76 \text{ cm}^2$   
 $\rho/m = 7.50 \text{ kg/m}$   
 $I_{x-x} = 109.76 \text{ cm}^4$   
 $Z_{x-x} = 17.70 \text{ cm}^3$   
 $r_{x-x} = 3.53 \text{ cm}$   
 $I_{y-y} = 26.26 \text{ cm}^4$   
 $Z_{y-y} = 12.72 \text{ cm}^3$   
 $r_{y-y} = 1.72 \text{ cm}$

**2 3**

L(mm)	F		f=1/200L	f=1/360L	F(kN)
	Fmax(kN)	fmax(mm)			
250	-	-	-	-	35.532
500	-	-	-	-	35.355
750	-	-	-	-	35.002
1000	-	-	-	-	34.482
1250	-	-	-	-	33.599
1500	15.745	3.07	-	-	32.147
1750	13.499	4.18	-	-	30.176
2000	11.811	5.47	-	-	27.929
2250	10.497	6.92	-	9.476	25.653
2500	9.447	8.54	-	7.671	23.466
2750	8.584	10.34	-	6.347	21.425
3000	7.868	12.30	-	5.327	19.561

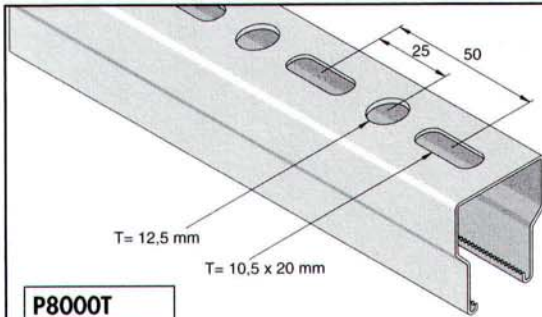
Art.Nr.	serrated verzahnt cranté
P55211	<input type="checkbox"/> <input type="checkbox"/> <input type="checkbox"/>
P55221	<input type="checkbox"/> <input type="checkbox"/> <input checked="" type="checkbox"/>

: finish, Ausführung, finition

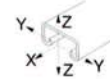
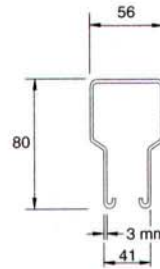
: length, Länge, longueur  
3 + 6 m



# UNISTRUT P8000



**P8000T**



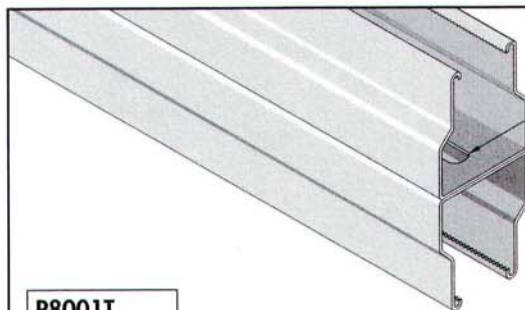
$A = 6.36 \text{ cm}^2$   
 $\rho/m = 5.39 \text{ kg/m}$   
 $I_{x-x} = 51.8 \text{ cm}^4$   
 $Z_{x-x} = 11.4 \text{ cm}^3$   
 $r_{x-x} = 2.85 \text{ cm}$   
 $I_{y-y} = 27.77 \text{ cm}^4$   
 $Z_{y-y} = 9.92 \text{ cm}^3$   
 $r_{y-y} = 2.09 \text{ cm}$

**2**

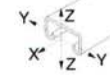
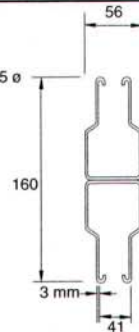
L(mm)	F			
	$F_{max}(kN)$	$f_{max}(mm)$	$F (kN)$	$F (kN)$
250	-	-	-	-
500	29.160	0.44	-	-
750	19.424	0.98	-	-
1000	14.540	1.75	-	-
1250	11.610	2.73	-	-
1500	9.650	3.93	-	-
1750	8.250	5.35	-	7.481
2000	7.190	6.98	-	5.700
2250	6.370	8.84	-	4.471
2500	5.710	10.91	-	3.588
2750	5.170	13.21	-	2.929
3000	4.710	15.71	4.479	2.427

Art.Nr.	serrated verzahnt cranté
P801252 [L]	√

[L] : length, Länge, longueur  
3 + 6 m



**P8001T**



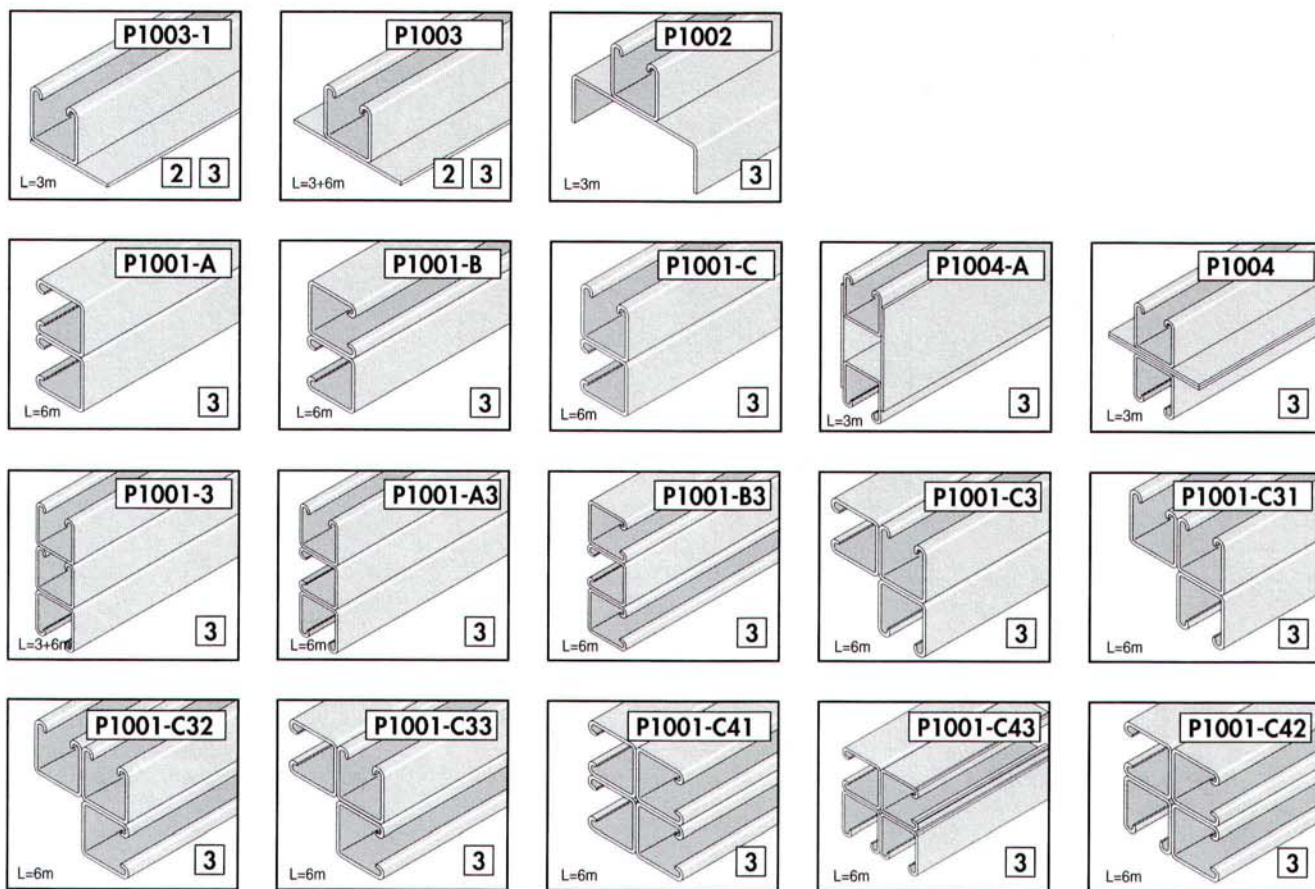
$A = 12.71 \text{ cm}^2$   
 $\rho/m = 10.78 \text{ kg/m}$   
 $I_{x-x} = 257.3 \text{ cm}^4$   
 $Z_{x-x} = 32.2 \text{ cm}^3$   
 $r_{x-x} = 4.50 \text{ cm}$   
 $I_{y-y} = 55.54 \text{ cm}^4$   
 $Z_{y-y} = 19.84 \text{ cm}^3$   
 $r_{y-y} = 2.09 \text{ cm}$

**2**

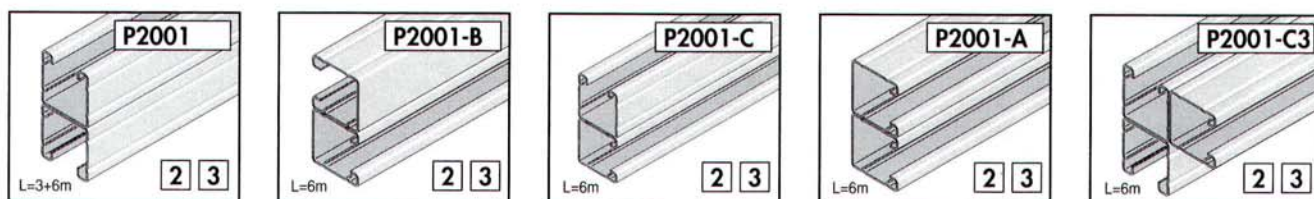
L(mm)	F			
	$F_{max}(kN)$	$f_{max}(mm)$	$F (kN)$	$F (kN)$
250	-	-	-	-
500	-	-	-	-
750	-	-	-	-
1000	41.000	0.99	-	-
1250	32.856	1.55	-	-
1500	27.330	2.23	-	-
1750	23.380	3.04	-	-
2000	20.410	3.97	-	-
2250	18.090	5.03	-	-
2500	16.238	6.21	-	-
2750	14.713	7.51	-	-
3000	13.44	8.94	-	12.510

Art.Nr.	serrated verzahnt cranté
P802252 [L]	√

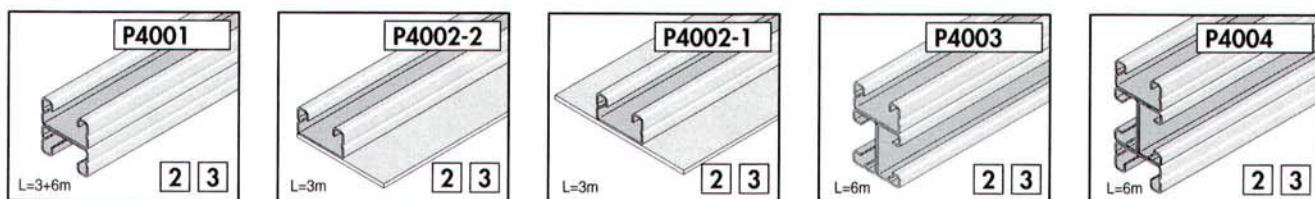
[L] : length, Länge, longueur  
3 + 6 m

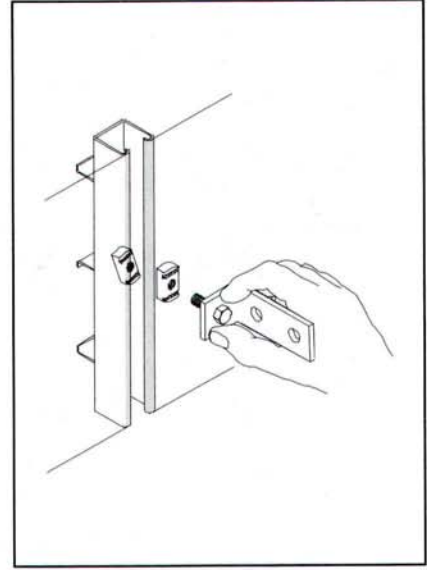
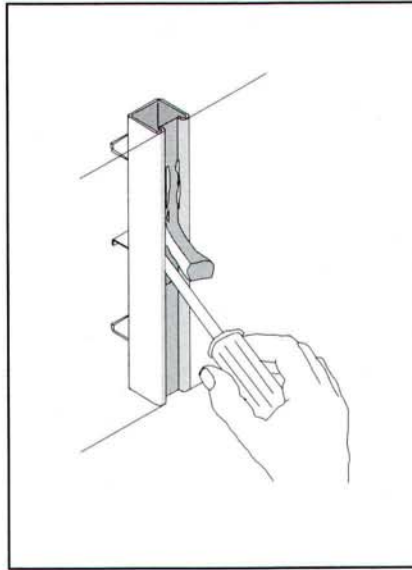
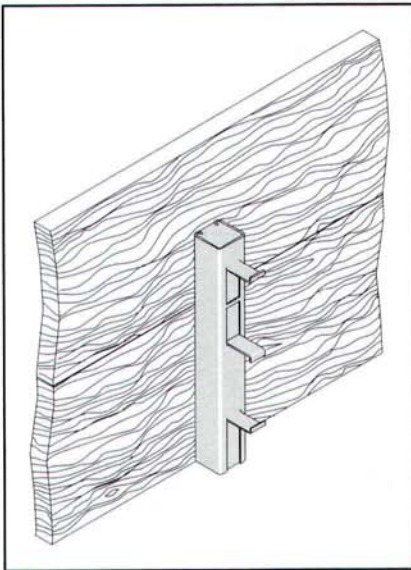


P2000 Special channels GB



P4000 Special channels GB





### GB Concrete Inserts

Unistrut concrete inserts are manufactured from the standard Unistrut section and may be installed in floors, walls or ceilings, for the support of all types of piping, conduit, cable support and other industrial equipment.

Unistrut nuts can be inserted anywhere along the length of the insert, providing a means of attaching all kinds of fittings or rods where required.

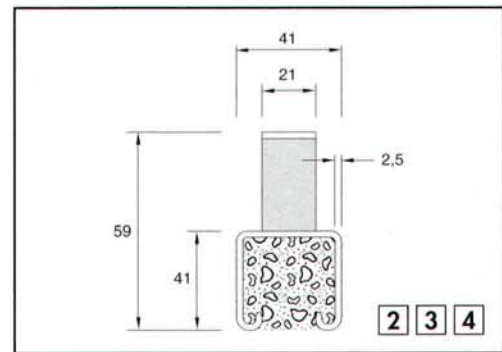
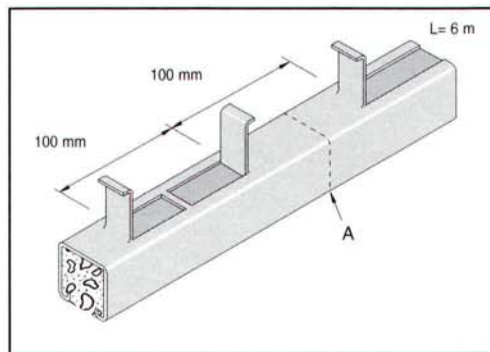
Unistrut inserts are available pre-filled with an easily removed foam, this is to prevent the ingress of grout and cement.

Concrete inserts can be supplied in pre galvanised, hot dip galvanized and stainless steel finish. Details on request.



## P3270

Art.nr.	P
P3270	2
P3270H	3
P3270SS	4



**GB** P3270 inserts are designed to accommodate M6, M8, M10, M12 & M16 fixings.  
Normal cutting positions are between lugs as indicated. (A)

Non standard lengths can be supplied in increments of 200mm

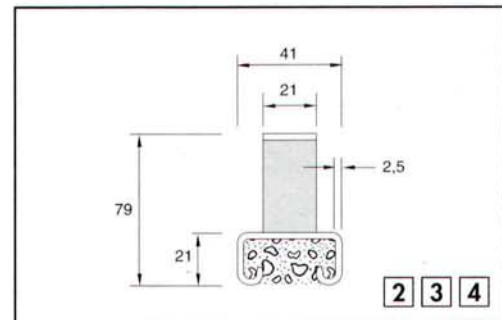
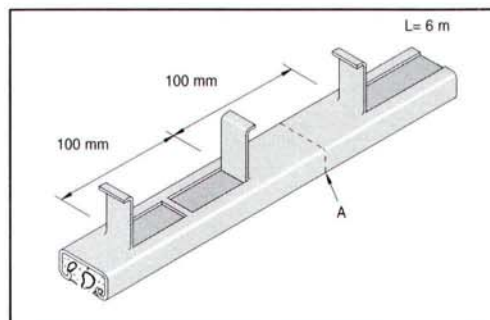
Recommended loading on P3270 inserts in average strength concrete\* with a safety factor of approximately 3, is as follows:

Inserts 300mm and over 8,8 kN pull out per 300mm.

\*B = 25 N/mm<sup>2</sup>

## P3370

Art.nr.	P
P3370	2
P3370H	3
P3370SS	4



**GB** P3370 inserts are designed to accommodate M6, M8, M10 & M12 fixings.  
Normal cutting positions are between lugs as indicated. (A)

Non standard lengths can be supplied in increments of 200mm

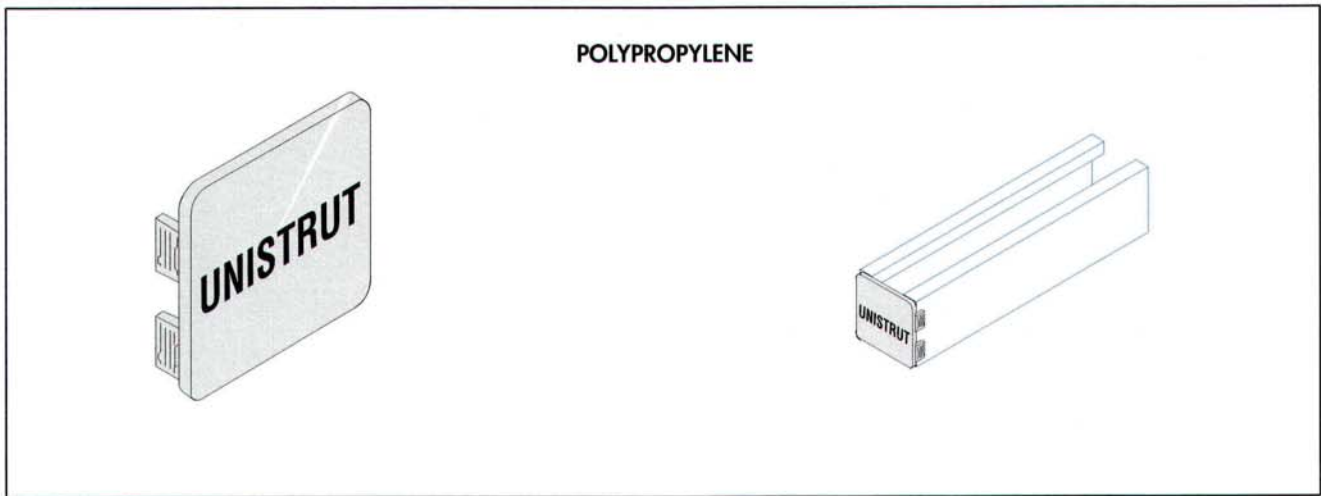
Recommended loading on P3370 inserts in average strength concrete\* with a safety factor of approximately 3, is as follows:



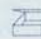
Inserts 300mm and over 6,7 kN pull out per 300mm.

\*B = 25 N/mm<sup>2</sup>

# UNISTRUT

## GB Channel End caps



Art.Nr.	Art.Nr.	Art.Nr.		 /100	
bleu/blau/bleu	white/weiß/blanc	black/schwarz/noir			
139 21 98	139 21 96	139 21 97	41 x 21 (P3300 & P4000)	0,3	25
139 41 98	139 41 96	139 41 97	41 x 41 (P1000 & P2000)	0,5	25
139 62 98	139 62 96	139 62 97	41 x 62 (P5500)	0,8	25

## GB Channel cover

