

# Ancon 25/14 Restraint System

The Ancon 25/14 Restraint System ties an outer leaf of brickwork to a light steel frame.

Self-drilling, high-thread screws fix through the channel and rigid insulation board and into the steel. Ancon SD25 wall ties are located in the channel and built into the bed joints of the outer leaf of brickwork.

This system has been independently tested by Lucideon; it meets the technical requirements of the NHBC and a CE Declaration of Performance is available to download from [www.ancon.co.uk/CE](http://www.ancon.co.uk/CE).

## System Components

### 25/14 Channel

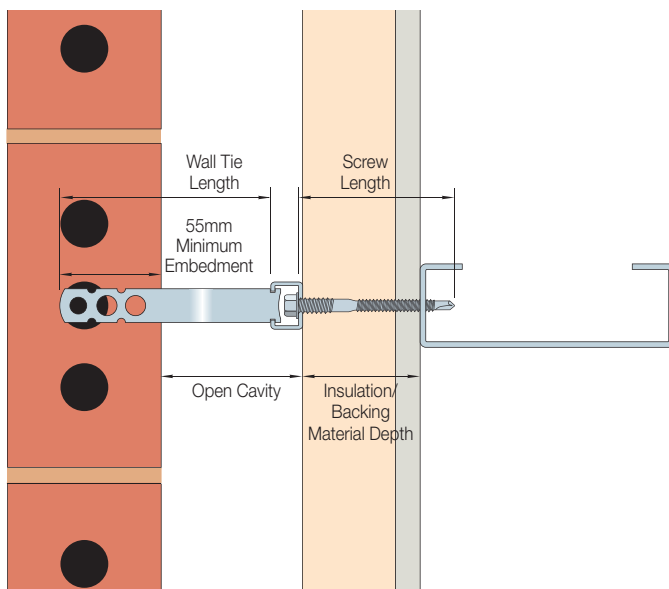
Lengths: 2700, 3000mm

### High-thread Fixing Screws

Lengths: For an insulation depth up to 220mm

### SD25 Wall Ties

Lengths: For open cavities up to 259mm



## Warranty

Ancon offers a warranty on its stainless steel 25/14 system, guaranteeing the design performance for 60 years. Contact Ancon for full details and conditions.

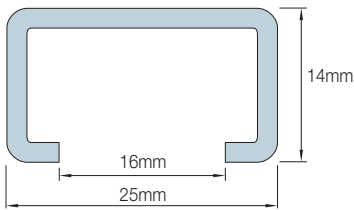
## BIM

A BIM object is available to download from [www.ancon.co.uk/BIM](http://www.ancon.co.uk/BIM) or the NBS National BIM Library.



## Ancon 25/14 Channel

25/14 channel is available in lengths of 2700mm and 3000mm. It features pre-punched holes at close centres (112.5mm) to ensure a fixing position is always located near the end, even when it is cut on site. The channel has a 16mm opening to easily accommodate a drive socket and washer for the fixing screws.



Ancon 25/14 Channel Profile

## Ancon High-Thread Fixing Screws

Screws are available to accommodate a combined backing board and insulation thickness of up to 220mm and a steel thickness from 1.2mm to 3mm. Ancon Fixing Screws feature a shaped drill tip of hardened steel that allows installation without pre-drilling. Drive sockets are available. See selection table for correct screw reference and fixing centres.

### Stainless Steel Fixing Screw Selection Table

Insulation/Backing Material Thickness (mm)	Ancon Screw Reference	Screw Length (mm)	Ancon Screw Fixing Centres (mm)
35-50	HTSS-65-2PT-W	65	450 (Every fourth hole)
35-61	HTSS-82-2PT-W	82	
43-79	HTSS-100-2PT-W	100	
60-94	HTSS-115-2PT-W	115	
65-114	HTSS-135-2PT-W	135	
80-129	HTSS-150-2PT-W*	150	337.5 (Every third hole)
110-159	HTSS-180-2PT-W*	180	
165-220	HTSS-240-2PT-W*	240	

Notes: Carbon steel screws are available. The Ancon 25/14 system is also suitable for fixing to timber frames. Contact Ancon for maximum insulation/material thickness when fixing to timber which differs from above.

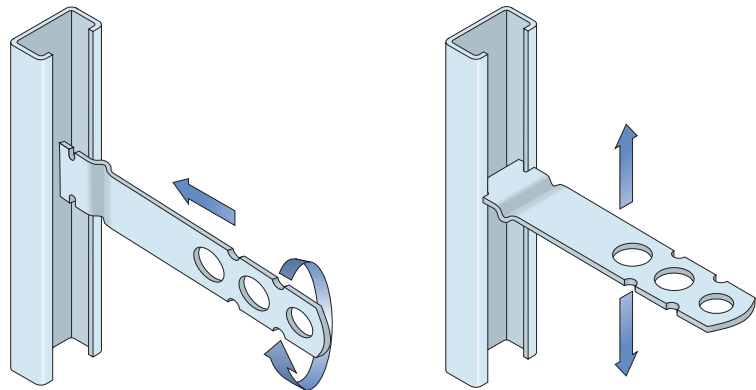
\* When using these screws, the Ancon 25/14 system is restricted to Type 3 wall tie performance and is not covered by the Tie Spacing table below.

## Ancon SD25 Wall Ties

Ancon SD25 wall ties are available in various lengths to suit open cavities from 35mm to 259mm (see selection table). They are located in the channel by rotating through 90° and can be easily moved to the required position where they are built into the masonry bed joint. Each tie has a performance in excess of Type 3 (PD6697: 2010) and the table and wind speed map should be used to determine wall tie spacing.

### Wall Tie Selection Table

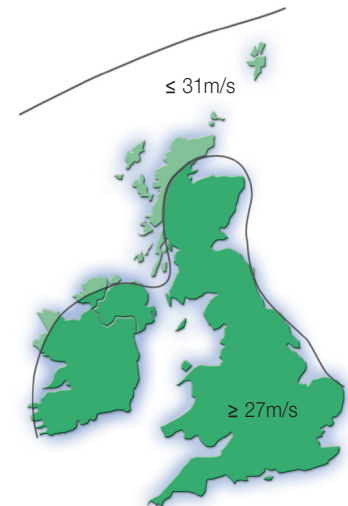
Open Cavity (mm)	Tie Length (mm)	Ancon SD25 Tie Reference
35-59	100	SD25/100
60-84	125	SD25/125
85-109	150	SD25/150
110-134	175	SD25/175
135-159	200	SD25/200
160-184	225	SD25/225
185-209	250	SD25/250
210-234	275	SD25/275
235-259	300	SD25/300



### Wall Tie Type and Recommended Tie Spacing, Based on 25/14 Channel at 600mm Horizontal Centre

Required Wall Tie Type	Application	Maximum Building Height (m)	Geographical Location	SD25 Wall Tie Vertical Centres (mm)
Type 4	Light duty tie, suitable for box-form domestic dwellings	10	Suitable for flat sites in towns/cities where basic wind speed does not exceed 27m/s and altitude is not more than 150m above sea level	450
Type 3	Basic wall ties, suitable for residential and small commercial buildings	15	Suitable for flat sites where basic wind speed is up to 27m/s and altitude is not more than 150m above sea level	450
Type 2	General purpose tie, suitable for residential and small commercial buildings	15	Suitable for flat sites where basic wind speed is up to 31m/s and altitude is not more than 150m above sea level	375
Type 1	Heavy duty tie, suitable for most building types	Any height	Suitable for most sites. However, for relatively small or unusually shaped buildings in vulnerable areas, tie provision should be calculated	225

Notes: Refer to PD 6697: 2010 and BS EN 1991-1-4: 2005 for complete information.



Wind Speed Map from BS EN 1991-1-4: 2005



## Ancon Building Products

President Way, President Park, Sheffield S4 7UR  
Tel: +44 (0) 114 275 5224 Email: info@ancon.co.uk

[www.ancon.co.uk](http://www.ancon.co.uk)

