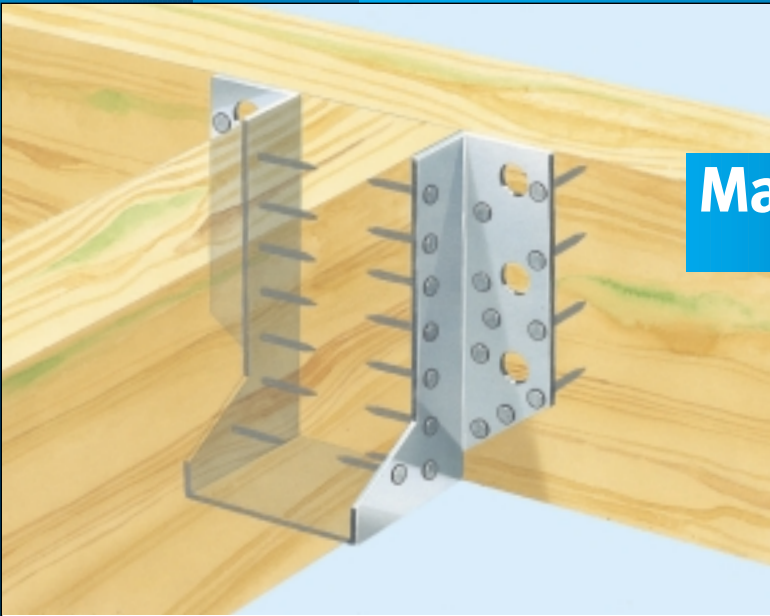


# Maxi Speedy

The Maxi Speedy's are heavy duty hangers for the support of Timber to Timber or Timber to Masonry, Concrete, etc with provision for Nailing or Bolting.



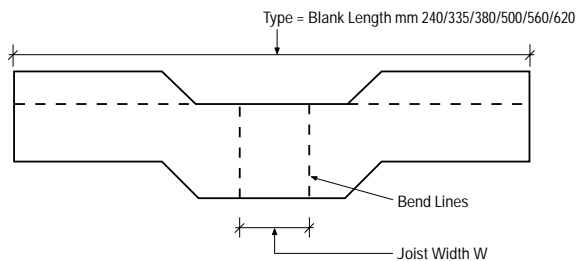
## Design Features

- Manufactured from 1.5mm thick pre-galvanised mild steel to BS EN 10142 : 1991, DX51D + Z275.
- Available in 6 types: MS240; MS335; MS380; MS500; MS560 & MS620.
- Nail hole diameter: 4.5mm Bolt hole diameter: 14mm
- Available widths: 38, 50, 63, 75, 100mm (122 + 150 for MS500, 560 + 620 only)

## Installation Requirements

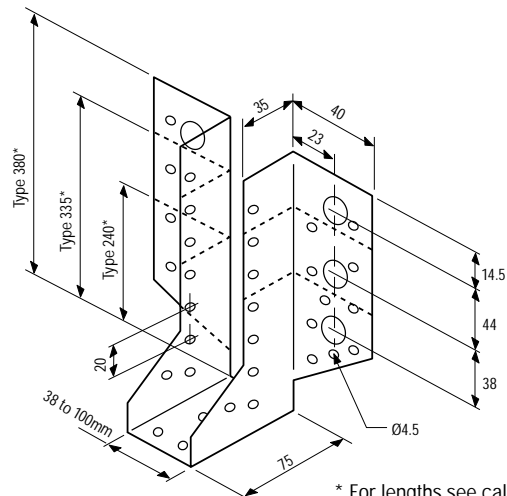
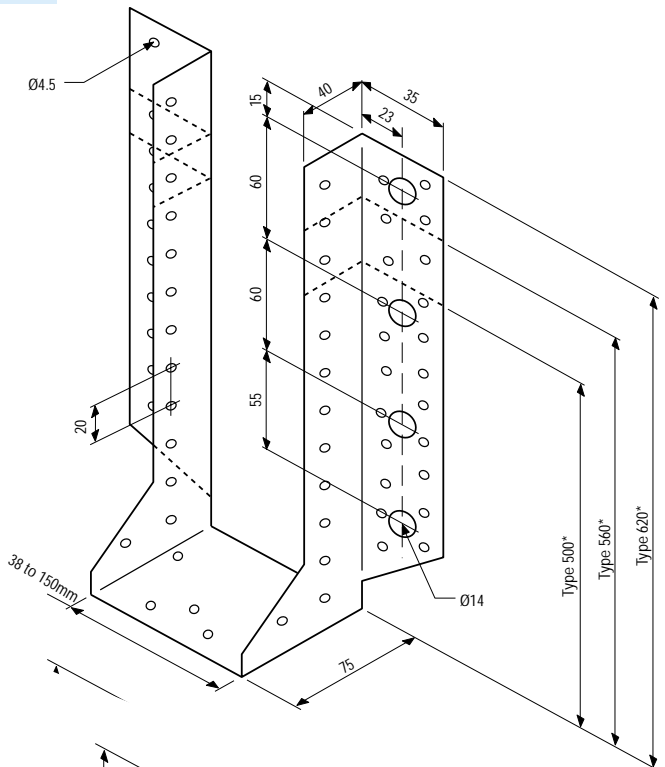
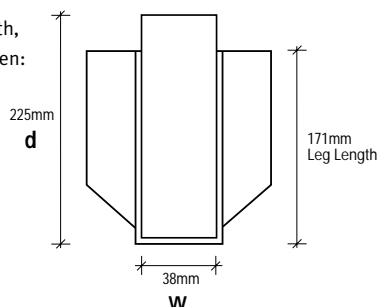
Fixing: use BAT 3,75 x 30mm long square twisted sherardised nails.  
M12 Bolts or Coach screws as specified by fixing manufacturer.

## How to Order/Specify – BAT Maxi Speedy



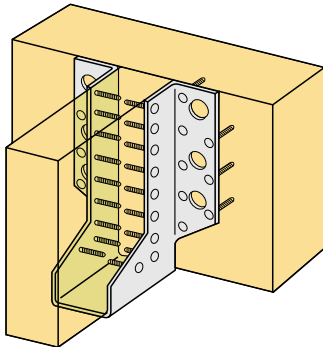
### Steps to specify requirements:

- 1. Joist dimensions:**  
Double joist depth and add joist width, ie for joist 225 deep x 38mm wide then:  
 $225 (d) + 225 (d) + 38 (w) = 488\text{mm}$ .
- 2. The Maxi Speedy blank length** must be less than total calculated in step 1, therefore select MS38038 (not MS500 as the joist hanger would stand proud).



\* For lengths see calculations in How to Order.

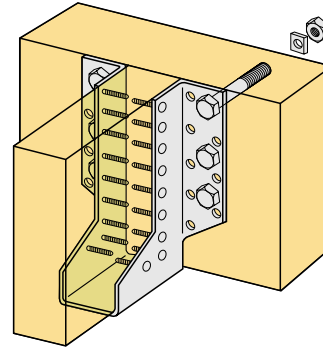
## Maxi Speedy Permissible Safe Working Loads (kN)



**NAILS ONLY**

Type	No. of Nails Into Face	SWL kN.
240	12	3.9
335	18	5.9
380	20	6.5
500	32	10.5
560	38	11.2
620	44	13.0

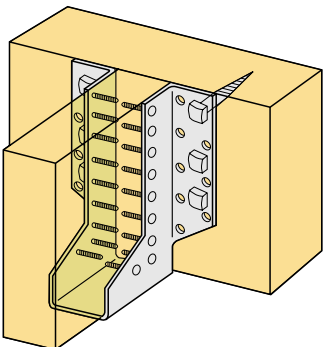
3.75 x 30mm long square twisted sherardised



**BOLTS ONLY**

Type	No. of Bolts Into Face	SWL kN.
240	2	3.6
335	4	6.9
380	6	10.1
500	6	10.1
560	6	10.1
620	8	13.0

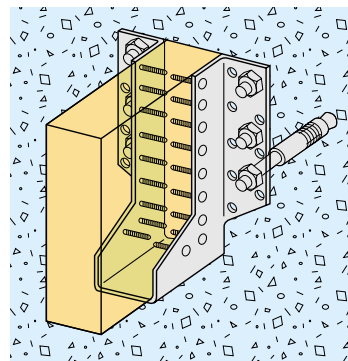
M12 Bolts



**COACH SCREWS**

Type	No. of Coach Screws Into Face	SWL kN.
240	2	3.0
335	4	5.9
380	6	8.6
500	6	8.6
560	6	8.6
620	8	11.1

12mm  $\phi$  x 63mm long (min). USING STARTER HOLES



**MASONRY ANCHORS**

Bolt Size	No. of Bolts Into Face	SWLs for Masonry Strengths of				
		20N	15N	7N	3.5N	2.8N
12mm	2	7.2kN	5.4kN	2.5kN	1.2kN	1kN
12mm	4	14.4kN	10.5kN	5kN	2.5kN	2kN
12mm	6	21.0kN	15.5kN	7.5kN	3.7kN	3kN

Indicative loads