

The Bat Truss Clip eliminates the disadvantages of skew nailing trussed rafters to timber wall plates; damaged connector plates; split rafters or wall plates.

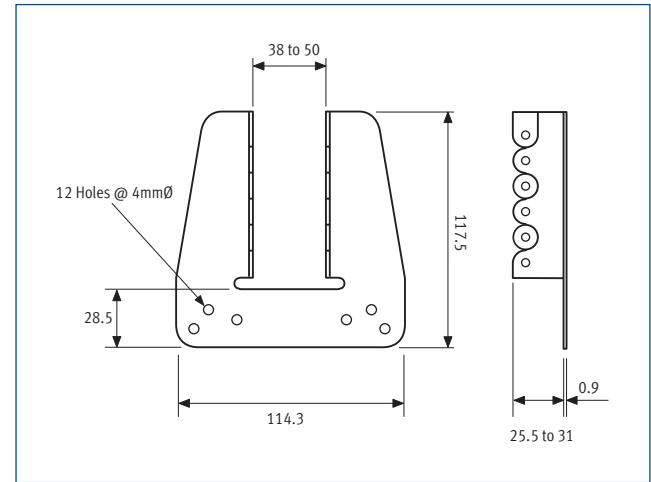
Design Features

- Manufactured from 0.9mm thick pre-galvanised mild steel to BS EN 10327 : 2004, DX51D + Z275.
- Hole diameter: 4mm Height: 117mm
- Available in 2 sizes:

Ref.	Width	Qty/Box	Safe Working Load Uplift (kN)
TC38	38mm thick truss	200	1.3
TC50	50mm thick truss	200	0.7

- Other thicknesses of trussed rafters may be fixed using pairs of BAT Framing Anchors, type MFAAL and MFAAR.

TRUSS CLIP



Installation Requirements

Fixing: use BAT 3.75 x 30mm long square twisted sherardised nails.

All nail holes must be filled.

The timber wall plate must be securely held down onto the supporting masonry.