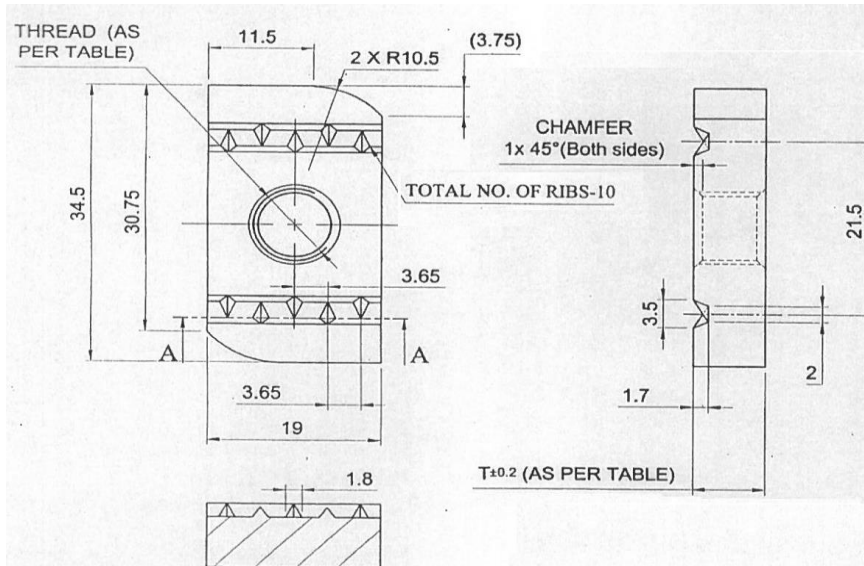




DATA SHEET

Channel Nuts (Plain - No Spring)

We confirm our range of Plain Channel Nuts are manufactured from Mild Steel, details as follows:-



	Plain Channel Nuts			
	PNP06	PNP08	PNP10	PNP12
Thread Size	M6 x 1.0 6H	M8 x 1.25 6H	M10 x 1.5 6H	M12 x 1.75 6H
Channel Nut Thickness	6mm		8mm	
Other Dimensions	As per above drawings			
Finish	BZP			
Tolerances (Class C) :-				
- Linear Dimensions				
0.5 - 3.0mm	± 0.2mm			
3.0 - 6.0mm	± 0.3mm			
6.0 - 30.0mm	± 0.5mm			
30.0 - 120.0mm	± 0.8mm			
- Radius/Chamfer Dimensions				
0.5 - 3.0mm	± 0.4mm			
3.0 - 6.0mm	± 1.0mm			
Over 6mm	± 2.0mm			
- Angular Dimensions				
Up to 10°	± 1° 30'			
10° - 50°	± 1°			
50° - 120°	± 0° 30'			
120° - 400°	± 0° 15'			

This data sheet is valid until there is significant change in the product and characteristics.

Signed By:

Name: **Andy Bridge**

Position: **Commercial Manager**

Date: **12 August 2019**