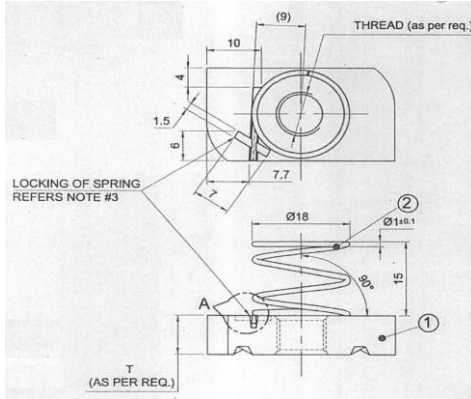




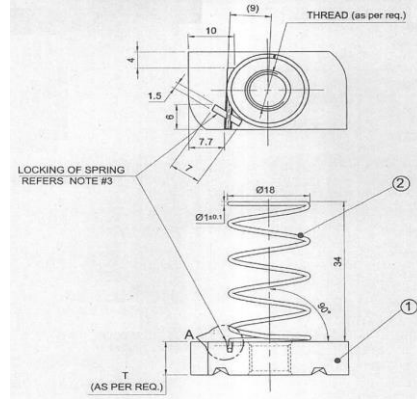
DATA SHEET

Channel Nuts (Short & Long Spring)

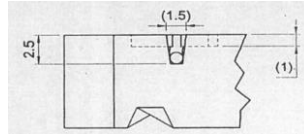
We confirm our range of Short & Long spring Channel Nuts are manufactured from Mild Steel, details as follows:-



SHORT SPRING



LONG SPRING



	Short Spring Channel Nuts				Long Spring Channel Nuts			
	PNS06	PNS08	PNS10	PNS12	PNL06	PNL08	PNL10	PNL12
Thread Size	M6 x 1.0 6H	M8 x 1.25 6H	M10 x 1.5 6H	M12 x 1.75 6H	M6 x 1.0 6H	M8 x 1.25 6H	M10 x 1.5 6H	M12 x 1.75 6H
Channel Nut Thickness	6mm		8mm		6mm		8mm	
Spring Length	34mm							
Other Dimensions	As per above drawings							
Finish	BZP							
Tolerances (Class C) :-								
- Linear Dimensions								
0.5 - 3.0mm	± 0.2mm							
3.0 - 6.0mm	± 0.3mm							
6.0 - 30.0mm	± 0.5mm							
30.0 - 120.0mm	± 0.8mm							
- Radius/Chamfer Dimensions								
0.5 - 3.0mm	± 0.4mm							
3.0 - 6.0mm	± 1.0mm							
Over 6mm	± 2.0mm							
- Angular Dimensions								
Up to 10°	± 1° 30'							
10° - 50°	± 1°							
50° - 120°	± 0° 30'							
120° - 400°	± 0° 15'							

This data sheet is valid until there is significant change in the product and characteristics.

Signed By:

Name:

Andy Bridge

Position:

Commercial Manager

Date:

12 August 2019