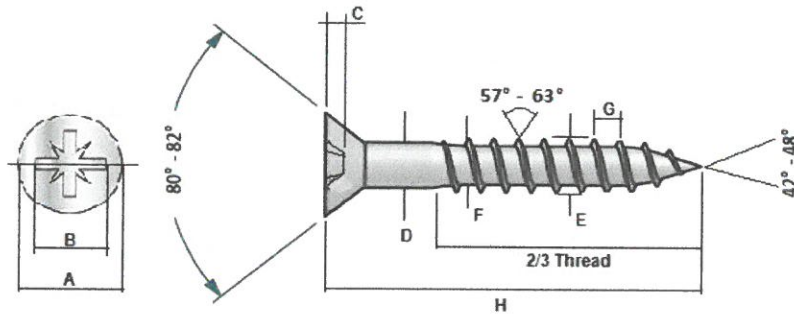


## SPECIFICATION DECLARATION

### STAINLESS STEEL WOODSCREWS (Pozi, Flat Head, Csk, 2/3 Thread)

We confirm our range of Stainless Steel Woodscrews are manufactured from A2 (304/18.8) Stainless Steel and have the following characteristics / specifications:-



HEAD:	Pozi, Countersunk	THREAD:	Threaded to 2/3 of screw shank length	FINISH:	Passivated
-------	-------------------	---------	---------------------------------------	---------	------------

Screw Diameter	(A) Head Diameter	(B) Drive Size / Driver Size	(C) Drive Depth	(D) Shank Diameter	(E) Thread Outer Diameter	(F) Thread Shank Diameter	(G) Thread Spacing
	mm	mm / No	mm	mm	mm	mm	mm
4g - 22	4.96 - 5.71	3.05 / No.1	1.60 - 2.00	2.25 - 2.40	2.67 - 2.94	1.95 - 2.10	1.06 - 1.26
6g - 18	6.20 - 7.08	4.00 / No.2	1.86 - 2.31	2.78 - 2.88	3.46 - 3.58	2.44 - 2.59	1.31 - 1.51
8g - 15	7.42 - 8.43	4.40 / No.2	2.27 - 2.71	3.28 - 3.38	4.12 - 4.26	2.95 - 3.12	1.59 - 1.79
10g - 13	8.64 - 9.77	5.00 / No.2	2.64 - 3.10	3.78 - 3.88	4.78 - 4.92	3.21 - 3.37	1.85 - 2.05
12g - 11	9.89 - 11.12	6.30 / No.3	2.72 - 3.118	4.35 - 4.45	5.47 - 5.59	3.94 - 4.11	2.21 - 2.41
14g - 10	11.49 - 12.87	7.00 / No.3	3.38 - 3.84	5.08 - 5.18	6.30 - 6.43	4.53 - 4.69	2.44 - 2.64

Screw Length (Inch)	Thread Length (mm)
less than 1"	>± 76%
1-1/4"	30.48 - 33.02
1-1/2"	36.83 - 39.37
2"	49.53 - 52.07
2-1/2"	62.23 - 64.77
3"	74.93 - 77.47
4"	100.33 - 102.87

This data sheet is valid until there is significant change in the product and characteristics.

Signed By:



Name: **Richard Dunn**

Position: **Managing Director**

Date: **21 September 2017**