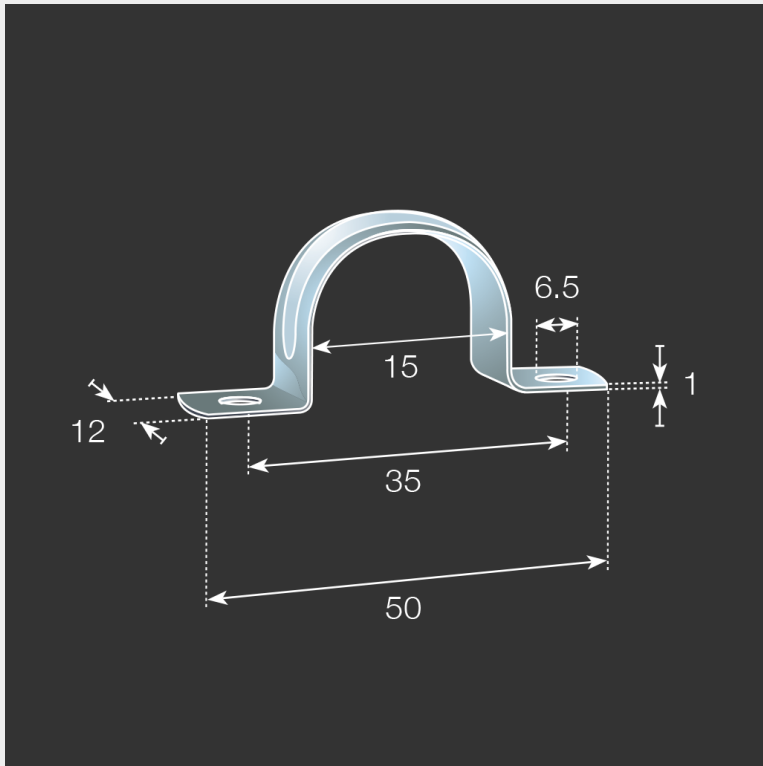


## STEEL - BZP TIN SADDLES LIGHT DUTY - 1/4"



Bag Qty	100
Pack Qty	1000
Weight (kgs)	0.0064
Part No. - Steel BZP	SZ0206

### ABOUT THE PRODUCT

**Description:** Steel Pipe Supports and associated products are designed and manufactured to support primarily BS EN 10255 Steel pipework, (formerly BS1387 Steel pipe). The Rubber Lined and Unlined Pipe Supports are designed to support BS EN 10255 Steel pipework, formerly BS1387 Steel pipe, BS EN 1057 Copper tube, formerly BS2871 part 1: 1971 Copper tube, and also various forms of Plastic and Stainless Steel Pipework. The EPDM rubber lining provides cushioning between pipe and bracket, whilst also providing limited noise suppression.

**Material:** Manufactured in predominantly Mild Steel material.

**Finishes:** The finish on the Steel range of products is predominantly a Bright Zinc Plated finish (BZP). Certain products can be supplied (made to order) with a Self Colour or Hot Dipped Galvanised finish.

**Connections / Fixing Methods:** Dependant on product. Metric bosses available on all types of Rubber Lined, Unlined Clips and on Bossed Split Band Hangers.

**Country of Origin:** China and India where applicable.

Every effort has been made to ensure the accuracy of data within these pages. We cannot however be held liable for any discrepancies that may arise between this data and actual product. The dimensions are provided as a guide and we recommend contacting a company representative for confirmation. Greenaway Pipeline Products Ltd reserve the right to make changes without notice at any time.

**Sales:** 01922 743 322

**Email:** [enquiries@greenaways.co.uk](mailto:enquiries@greenaways.co.uk)

**Web:** <https://greenaways.co.uk>