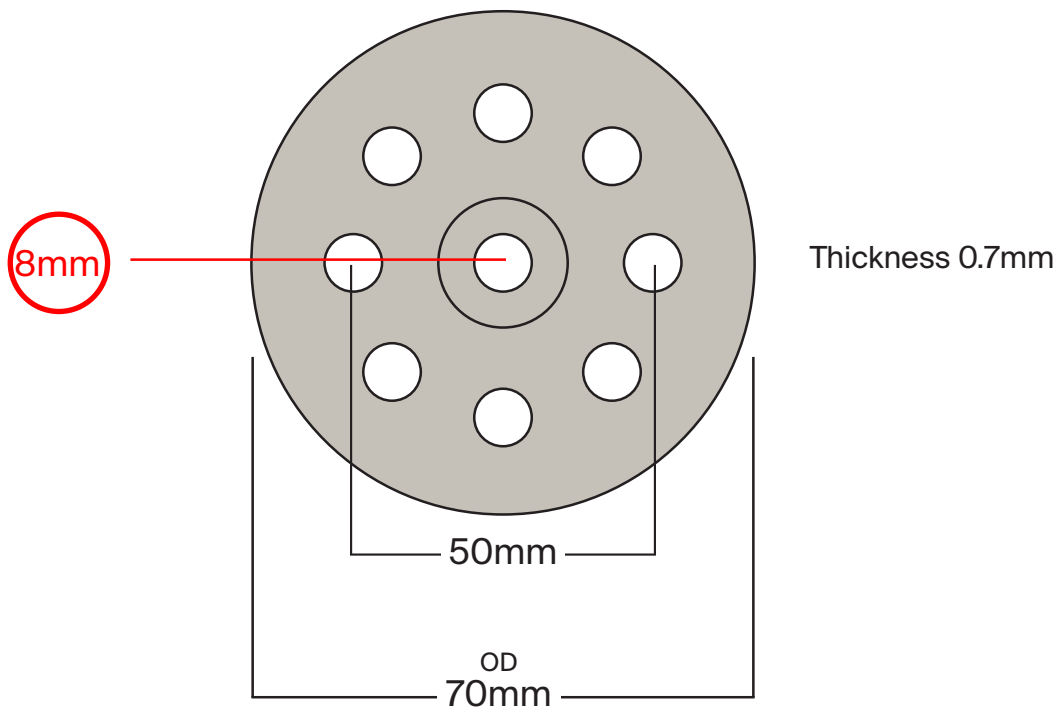


fischer fixings UK Ltd. February 2020

## Data Sheet for SS Insulation Retaining Washers

Material	Thickness	Hole diameter	Washer diameter	Weight
SS304	0.7mm	8mm	70mm	20 grams

See drawing as follows:

**fischer fixings UK Ltd.**

Item: DTM 70 Insulation Retaining Washers

Art No. 554943

**Features**

- Suitable for use with self drilling insulation screws.
- Stainless steel version ss304 for use in wet and outdoor areas.
- Suitable for use with both soft and rigid insulation materials.

**Advantages**

- The insulation washer is the ideal addition for increasing the disc surface of the fischer insulation support DHM.

**Functionality**

- The insulation disc is placed on the metal insulation screw before installation.