

# R-RB Rawlbolt® Shield

World's most popular all-purpose expanding shield anchor



## Product information

### Features and benefits

- Product recommended for applications requiring fire resistance
- Three-piece expanding sleeve of maximum expansion provides optimal load and safety of use in any substrate
- Designed & manufactured for maximum performance

### Applications

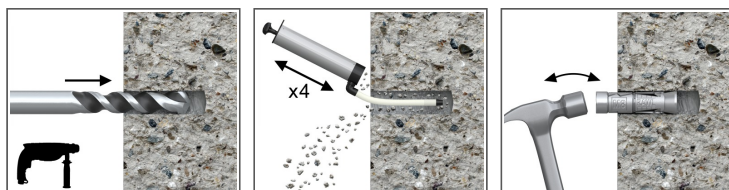
- Roller shutter doors
- Fire doors
- Wall plates
- Security grills
- Signs
- Manufacturing and installation of fencing
- Heavy machinery
- Pipework/duct work support
- Supporting guy ropes, stays and cables
- Supporting ladder restraints

### Base materials

#### Suitable for use in

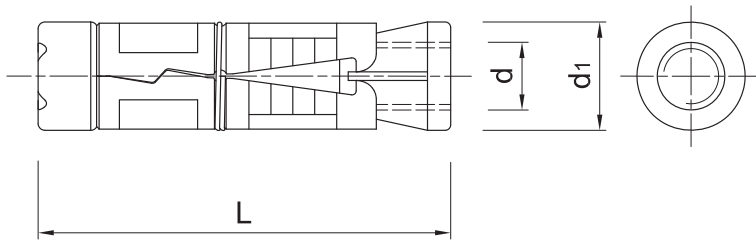
- Cracked concrete C20/25-C50/60
- Non-cracked concrete C20/25-C50/60
- Unreinforced concrete
- Reinforced concrete
- Solid clay brick  $\geq 20\text{MPa}$
- Hollow Lightweight Concrete Block LAC 5  $\geq 5\text{MPa}$
- Hollow Sand-lime Brick  $\geq 15\text{MPa}$
- Concrete hollow floor block (eg. Teriva)
- Hollow-core Slab C20/25
- Hollow-core Slab C30/37-C50/60
- Natural Stone (after site testing)

## Installation guide



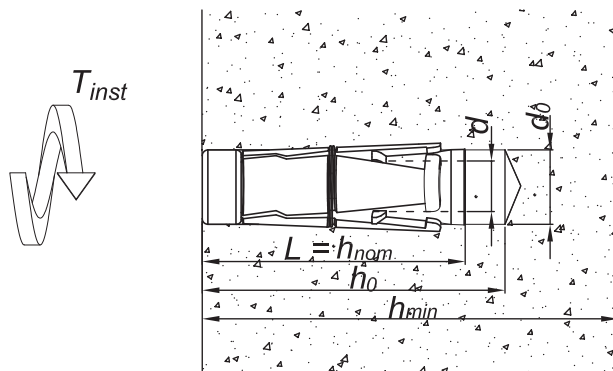
1. Drill a hole of required diameter and depth. Note: When fixing into brickwork, mortar joints should be avoided
2. Remove debris and thoroughly clean hole with brush and pump
3. Tap home with hammer until flush with surface

**Product information**



Size	Product Code	Anchor			Fixture
		Diameter	External diameter	Length	Hole diameter
		$d$	$d_{nom}$	$L$	$d_f$
		[mm]	[mm]	[mm]	[mm]
M6	R-RB-M06W	6	12	45	6.5
M8	R-RB-M08W	8	14	50	9
M10	R-RB-M10W	10	16	60	11
M12	R-RB-M12W	12	20	75	13
M16	R-RB-M16W	16	25	115	17
M20	R-RB-M20W	20	32	130	22
M24	R-RB-M24W	24	38	150	26

**Installation data**



Size			M6	M8	M10	M12	M16	M20	M24
Thread diameter	$d$	[mm]	6	8	10	12	16	20	24
Hole diameter in substrate	$d_0$	[mm]	12	14	16	20	25	32	38
Installation torque	$T_{inst}$	[Nm]	6.5	15	27	50	120	230	400
Min. hole depth in substrate	$h_0$	[mm]	50	55	65	85	125	140	160
Min. installation depth	$h_{nom}$	[mm]	45	50	60	80	120	135	155
Min. substrate thickness	$h_{min}$	[mm]	100	100	100	100	142.5	172.5	240
Min. spacing	$s_{min}$	[mm]	35	40	50	60	95	115	210
Min. edge distance	$c_{min}$	[mm]	53	60	75	90	143	173	188

## Product commercial data

Product Code	Anchor		Quantity [pcs]			Weight [kg]			Bar Codes
	Diameter [mm]	Length [mm]	Box	Outer	Pallet	Box	Outer	Pallet	
R-RB-M06W	6	45	100	800	32000	1.79	14.3	602.8	5906675283517
R-RB-M08W	8	50	100	100	16000	2.7	2.7	454.0	5906675283524
R-RB-M10W	10	60	100	100	16000	4.0	4.0	671.6	5906675283531
R-RB-M12W	12	75	50	50	8000	4.0	4.0	672.4	5906675283548
R-RB-M16W	16	115	25	25	3000	4.3	4.3	550.8	5906675283555
R-RB-M20W	20	130	15	15	1800	6.2	6.2	776.3	5906675283562
R-RB-M24W	24	150	5	5	800	2.6	2.6	440.6	5906675283579